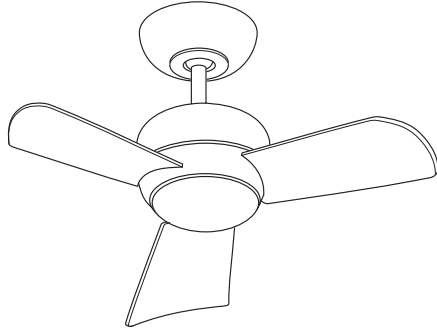


## ***READ AND SAVE THESE INSTRUCTIONS***



**EMERSON™**



**TILO™**

### **Damp Location 30" Mini Ceiling Fan Owner's Manual**

**Model Numbers:**

**CF130BS00**

**Brushed Steel**

**CF130ORB00**

**Oil Rubbed Bronze**

**CF130WW00**

**Appliance White**

Net Weight: **10.6** Lbs.

 **WARNING**

**WARNING:** To avoid fire, shock, and serious personal injury, follow these instructions.

**Safety Instructions**

1. Read your owner's manual carefully and keep it for future reference.
2. Before servicing or cleaning unit, switch power off at service panel and lock service panel disconnecting means to prevent power from being switched on accidentally. When the service disconnecting means cannot be locked, securely fasten a warning device, such as a tag, to the service panel.
3. Be careful of the fan and blades when cleaning, painting, or working near the fan. Always turn off the power to the ceiling fan before servicing.
4. Do not put anything into the fan blades while they are turning.

**Additional Safety Instructions for Installation**

1. To avoid possible shock, be sure electricity is turned off at the fuse box before wiring, and do not operate fan without blades.
2. The installation is to be in accordance with the National Electrical Code, ANSI/NFPA 70-2008 and Local Codes. Use the National Electrical Code if Local Codes do not exist. The ceiling fan must be grounded as a precaution against possible electrical shock. Electrical installation should be made or approved by a licensed electrician.
3. The outlet box and joist must be securely mounted and capable of reliably supporting at least 35 pounds. Use only U.L. outlet boxes listed as "Acceptable for Fan Support", and use the mounting screws provided with the outlet box. Most outlet boxes commonly used for support of light fixtures are not acceptable for fan support and may need to be replaced. Consult a qualified electrician if in doubt.
4. The downrod furnished with the fan provides the minimum recommended floor to fan blade clearance for an 8-foot ceiling.
5. The fan must be mounted with the fan blades at least 7 feet from the floor to prevent accidental contact with the fan blades.
6. Follow the recommended instructions for the proper method of wiring your ceiling fan. If you do not know enough about electrical wiring, have your fan installed by a licensed electrician.

**WARNING:** To reduce the risk of fire or electrical shock, do not use this fan with any solid-state speed control device.

**WARNING:** To avoid fire, shock or injury, do not use on Emerson or any other brand of control not specifically approved for this fan.

**WARNING:** To reduce the risk of fire or electric shock, this fan should only be used with fan speed control Model No. UC9020 (SW46), manufactured by Rhine Electric Co., Ltd.

**WARNING:** This product is designed to use only those parts supplied with this product and/or any accessories designated specifically for use with this product by Emerson Electric Co. Substitution of parts or accessories not designated for use with this product by Emerson Electric Co. could result in personal injury or property damage.

**WARNING:** To reduce the risk of personal injury, do not bend the blade flange when installing the blade flanges, balancing the blades or cleaning the fan. Do not insert foreign objects in between rotating fan blades.

**WARNING:** To reduce the risk of electric shock, this fan must be installed with an isolating wall control/switch.

**DATE CODE:** \_\_\_\_\_

The date code of this fan may be found on the box, stamped in ink on a white label. You should record this data above and keep it in a safe place for future use.

**THIS FAN IS SUITABLE FOR DAMP LOCATIONS SUCH AS COVERED PORCHES, COVERED PATIOS, AND COVERED DECKS... ANYWHERE THERE IS A ROOF OVERHEAD.**

**USE ONLY WITH LIGHT KITS MARKED SUITABLE FOR USE IN DAMP LOCATIONS.**

**This Manual is Designed to Make it as Easy as Possible for You to Assemble, Install, Operate and Maintain Your Ceiling Fan**

### Tools Needed for Assembly

One Phillips head screwdriver  
One wire stripper  
One stepladder

| Installed Wire Length | Wire Size A.W.G. |
|-----------------------|------------------|
| Up to 50 ft.          | 14               |
| 50-100 ft.            | 12               |

### Materials

Wiring, outlet box and box connectors must be of type required by the local code. The minimum wire would be a 3-conductor (2-wire with ground) of the following sizes:

### **WARNING**

Before assembling your ceiling fan, refer to section on proper method of wiring your fan (Page 10). If you feel you do not have enough wiring knowledge or experience, have your fan installed by a licensed electrician.

## Unpacking Instructions

For your convenience, check-off boxes are provided next to each step. As each step is completed, place a check mark in the box. This will insure that all steps have been completed and will be helpful in finding your place should you be interrupted.

### **WARNING**

Do not install or use fan if any part is damaged or missing. Call Toll-Free:

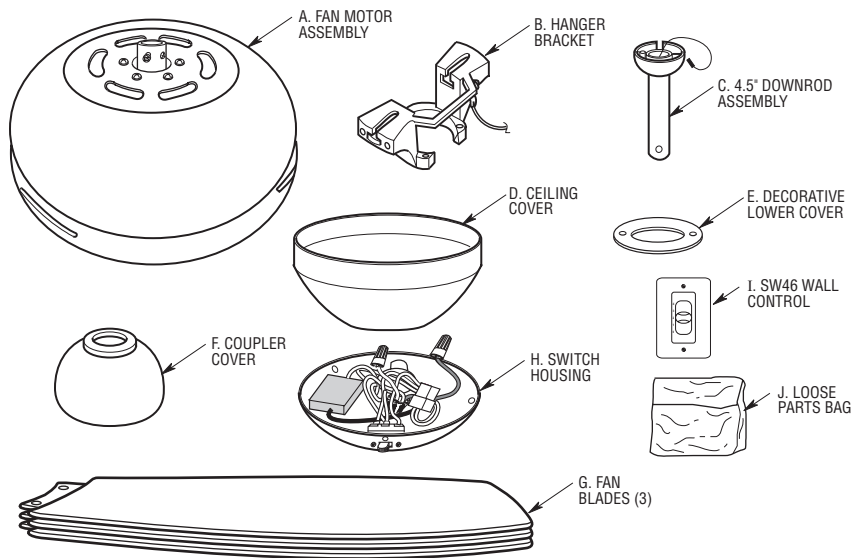
**1-800-654-3545**

### **WARNING**

This product is designed to use only those parts supplied with this product and/or any accessories designated specifically for use with this product by Emerson Electric Co. Substitution of parts or accessories not designated for use with this product by Emerson Electric Co. could result in personal injury or property damage.

1. Open carton containing fan. Remove top half of styrofoam unit. Remove parts and check to see that you have received the following parts:

**NOTE:** If you are uncertain of part description, refer to exploded view illustration.



- a. Fan motor assembly
- b. One hanger bracket
- c. One 4.5" downrod assembly
- d. One ceiling cover
- e. One decorative lower cover
- f. One coupler cover
- g. Three fan blades
- h. One switch housing
- i. One SW46 wall control
- j. One loose parts bag containing:
  1. Four 12 ga. wire connectors
  2. Seven M5 x 14mm flange head blade screws
  3. Four M5 x 10mm pan head screws
  4. Four external tooth lockwashers for hanger bracket assembly
  5. One clevis pin
  6. One hairpin clip
  7. Two threaded stud, #8-32 x 1-1/4"
  8. Two external tooth lockwashers
  9. Two knurled knobs, #8-32
  10. One rubber gasket
  11. One balancing kit

**NOTE: Place the parts from the loose parts bags in a small container to keep them from being lost.**

2. Remove the fan motor assembly from the protective plastic bag. Place all carton contents on a protective surface.

### IMPORTANT

Your ceiling fan is designed to be installed either in the standard manner, or in the close-to-the-ceiling manner. Using the standard method, the hanger ball/downrod assembly will suspend the fan several inches below the ceiling cover. Using the close-to-the-ceiling method, the ceiling cover installs directly on the fan motor housing, thus mounting the fan 3-1/2 inches closer to the ceiling than the standard method. In no case should the fan blades be lower than seven feet above the floor. Depending on your desired mounting method, proceed to "INSTALLING HANGER BALL/DOWNROD ASSEMBLY" for standard mounting, or to "INSTALLING CEILING COVER ON FAN MOTOR HOUSING" for close-to-the-ceiling mounting.

## Electrical Requirements

Your new ceiling fan will require a grounded electrical supply line of 120 volts AC, 60 Hz, 15 amp circuit.

The outlet box must be securely anchored and capable of withstanding a load of at least 35 pounds.

**⚠ WARNING**

To reduce the risk of fire, electric shock, or personal injury, mount fan to outlet box marked "Acceptable for Fan Support", and use screws supplied with outlet box. Most outlet boxes commonly used for support of light fixtures are not acceptable for fan support and may need to be replaced. Consult a qualified electrician if in doubt.

If your fan is to replace an existing ceiling light fixture, turn electricity off at the main fuse or circuit breaker box at this time and remove the existing light fixture.

**⚠ WARNING**

Turning off wall switch is not sufficient. To avoid possible electrical shock, be sure electricity is turned off at the main fuse or circuit breaker box before wiring. All wiring must be in accordance with National and Local codes and the ceiling fan must be properly grounded as a precaution against possible electrical shock.

## How to Assemble Your Ceiling Fan

- 1. Position the fan motor assembly upside down in preparation for mounting the three fan blades.
- 2. Rotate the notched switch assembly to expose the holes for blade assembly (Figure 1).
- 3. Slide blade through blade slot in blade housing assembly. Mount blade to fan housing using two M5 x 14mm flange head blade screws (Figure 1).

**NOTE:** Take care not to scratch fan housing assembly when installing blades.

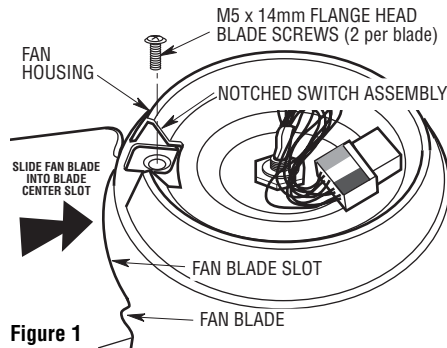


Figure 1

- 4. Complete the remaining two blades installation per the above instructions.
- 5. Remove the three M4 x 8mm flat head screws from the switch housing adapter plate (Figure 2). Retain the screws for future installation.
- 6. Engage the connector of the switch housing assembly with the motor connector (Figure 2). The two connectors are keyed and color-coded and must be mated correctly (color-to-color) before they can be engaged. Make sure the connector latch closes properly.

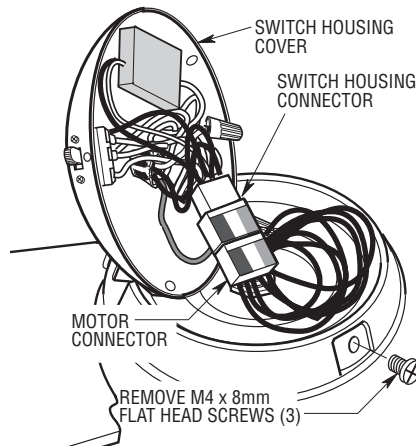


Figure 2

- 7. Position the switch housing assembly on the switch housing plate and align the holes in the switch housing assembly with the holes in the plate. Secure the switch housing assembly by installing the three previously removed M4 x 8mm flat head screws (Figure 3).

**⚠ WARNING**  
 To avoid possible fire or shock, do not pinch wires between the switch housing assembly and the bracket switch housing assembly.

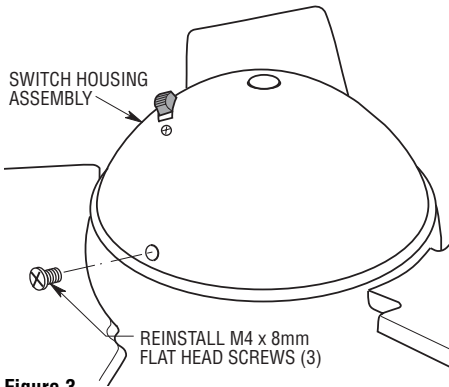


Figure 3

### Installing the Hanger Ball/ Downrod Assembly for Standard Mounting

- 1. Carefully turn the partially assembled ceiling fan right side up and place the fan securely into the packing styrofoam in preparation for final assembly.
- 2. Remove the hanger ball by loosening the setscrew in the hanger ball until the ball falls freely down the downrod (Figure 4). Remove the pin from the downrod, then remove the hanger ball. Retain the pin and hanger ball for reinstallation in Step 7.

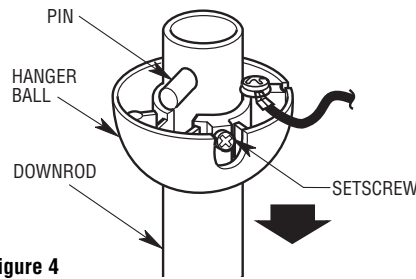


Figure 4

- 3. Loosen setscrew in motor coupler if necessary. Separate, untwist and unkink the three 42" motor leads. Route the motor lead wires through the downrod. Align the clevis pin holes in the downrod with the holes in the motor coupler. Install the clevis pin and secure with the hairpin clip (Figure 5). The clevis pin must go through the holes in the motor coupler and the holes in the downrod. Be sure to push the straight leg of the hairpin clip through the hole near the end of the clevis pin until the curved portion of the hairpin clip snaps around the clevis pin. The hairpin clip must be properly installed to prevent the clevis pin from working loose. Pull on the downrod to make sure the clevis pin is properly installed.

**⚠ WARNING**  
 It is critical that the clevis pin in the motor coupler is properly installed and the setscrew securely tightened. Failure to verify that the pin and setscrew are properly installed (as shown in Figure 5) could result in the fan falling.

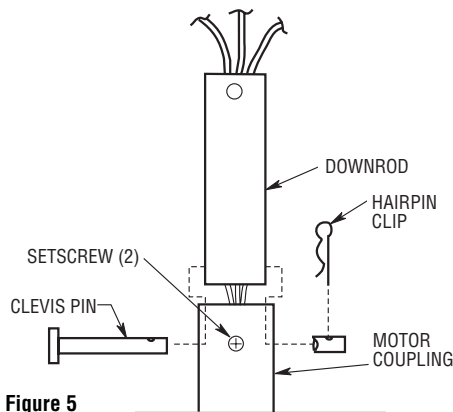


Figure 5

- 4. While pulling up on the downrod, □ 7. Reinstall the hanger ball (Figure 8) on the downrod as follows. Route the motor leads through the downrod. Position the pin through the two holes in the downrod and align the ball so the pin is captured in the groove in the top of the hanger ball. Pull the hanger ball up tight against the pin and securely tighten the setscrew in the hanger ball. A loose setscrew could create fan wobble.

**NOTE: The setscrews must be properly installed as described above, or fan wobble could result.**

- 5. Make sure the grommet is properly installed in the coupling cover then slide the coupler cover on the downrod until it rests on the motor housing (Figure 6).

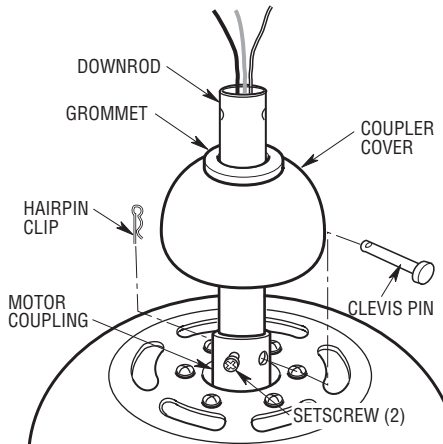


Figure 6

- 6. Place the decorative lower cover and ceiling cover over the downrod. Be sure both pieces are oriented correctly (Figure 7).

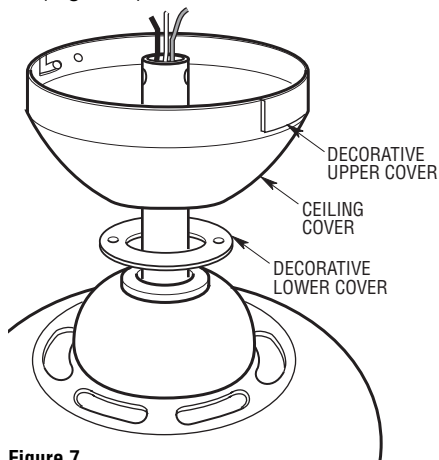


Figure 7

**⚠ WARNING**  
 It is critical that the pin in the hanger ball is properly installed and the setscrew securely tightened. Failure to verify that the pin and setscrew are properly installed could result in the fan falling.

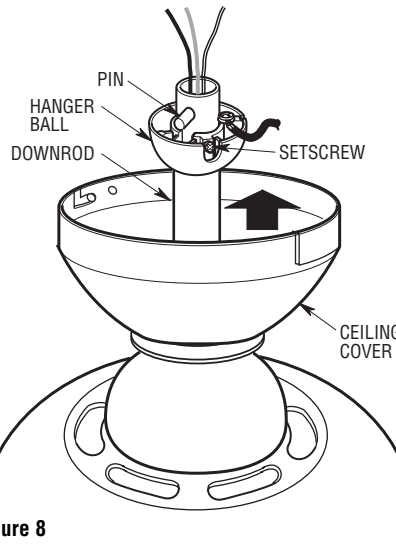


Figure 8

- 8. The fan comes with blue, black and white leads that are 42" long. Before installing fan, measure up approximately 6 to 9-inches above top of hanger ball/downrod assembly. Cut off excess leads and strip back insulation 1/2-inch from end of leads.

## Installing the Ceiling Cover on the Fan Motor Housing

(For Close-to-the-Ceiling Mounting)

**NOTE:** The decorative lower cover, coupler cover and hanger ball assembly are not needed for close-to-the-ceiling mounting.

- 1. Remove and retain three screws from the top of the motor housing (Figure 9).
- 2. Position the rubber gasket (supplied in parts bag) on the motor housing (small holes in gasket centered over the screw holes in the housing) Figure 9.

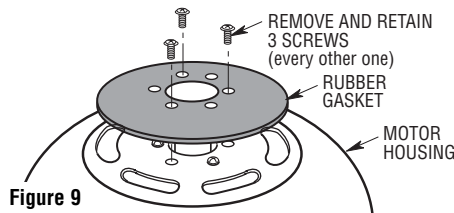


Figure 9

- 3. Position the ceiling cover onto the top of the motor housing and reattach the three screws previously removed (Figure 10).

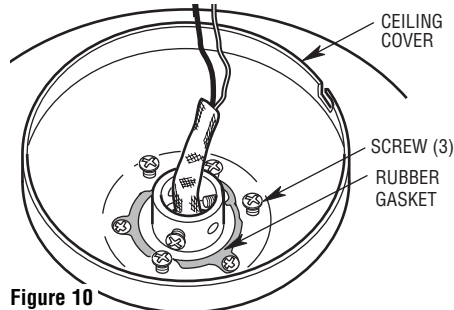


Figure 10

## Installation of Hanger Bracket

### ⚠ WARNING

The fan must be hung with at least 7' of clearance from floor to blades (Figure 11).

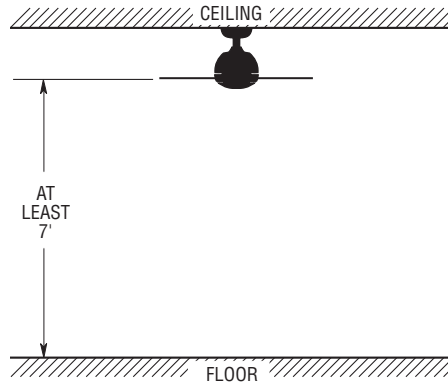


Figure 11

### ⚠ WARNING

The outlet box and joist must be securely mounted and capable of supporting at least 35 lbs. Use only a U.L. outlet box listed as "Acceptable for Fan Support".

- 1. Position the hanger bracket on the outlet box so that the T-slots in the hanger bracket are aligned with the outlet box screws (Figure 12).

**NOTE:** The four hanger bracket screws and lockwashers are included in the parts bag for this fan. Must be installed for Dual-Mount and NOT used with Downrod (standard) Mount.

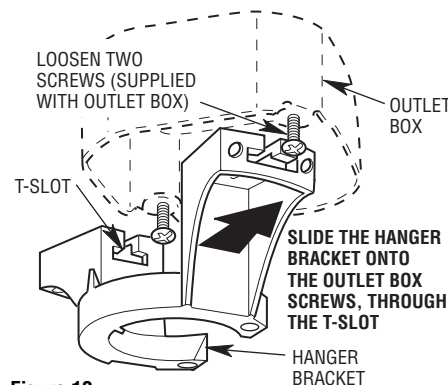


Figure 12



**⚠ WARNING**

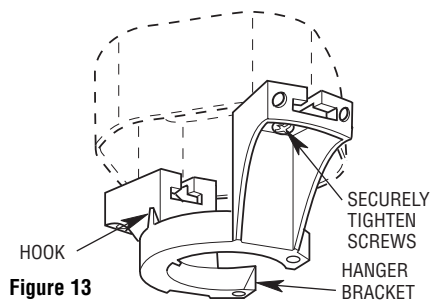
To reduce the risk of fire, electric shock, or personal injury, mount fan to outlet box marked "Acceptable for Fan Support", and use screws supplied with outlet box. Most outlet boxes commonly used for support of light fixtures are not acceptable for fan support and may need to be replaced. Consult a qualified electrician if in doubt.

**⚠ WARNING**

Turning off wall switch is not sufficient. To avoid possible electrical shock, be sure electricity is turned off at the main fuse box before wiring. All wiring must be in accordance with National and Local codes and the ceiling fan must be properly grounded as a precaution against possible electrical shock.

**NOTE:** The hanger bracket must be mounted flush with the ceiling in order for the ceiling cover to install properly. If necessary, use leveling washers (not supplied) between the outlet box and the hanger bracket.

- 2. Slide the hanger bracket onto the outlet box screws. Center the bracket over the outlet box and then securely tighten the screws (Figure 13).



**⚠ WARNING**

Hanger bracket must seat firmly against outlet box. If the outlet box is recessed, remove wall board until bracket contacts box. If bracket and/or outlet box are not securely attached, the fan could wobble or fall.

## How to Hang Your Ceiling Fan For Close-to-the-Ceiling Mounting

- 1. For close-to-the-ceiling mounting, the two decorative upper covers must be removed before installation to hanger bracket (Figure 14).
- 2. Carefully lift the fan assembly up to the hanger bracket. Pass the hook on the hanger bracket through one of the screw holes (not the slots) in the ceiling cover (Figure 14). The hook must pass from the inside of the ceiling cover to the outside. The hook will hold the fan assembly while connecting the wiring.

**⚠ WARNING**

The hook must pass through the screw hole in the ceiling cover from the inside to the outside. Any other hanging method may cause the hook to break and the fan to fall.

- 3. Loosely install two M5 x 10mm screws and lockwashers (supplied) in hanger bracket at this time. The remaining two lockwashers and screws will be installed after the ceiling fan is hung (Figure 14).

**HOOK ON HANGER BRACKET MUST PASS THROUGH SCREW HOLE IN CEILING COVER, INSIDE OF BRACKET TO OUTSIDE OF BRACKET**

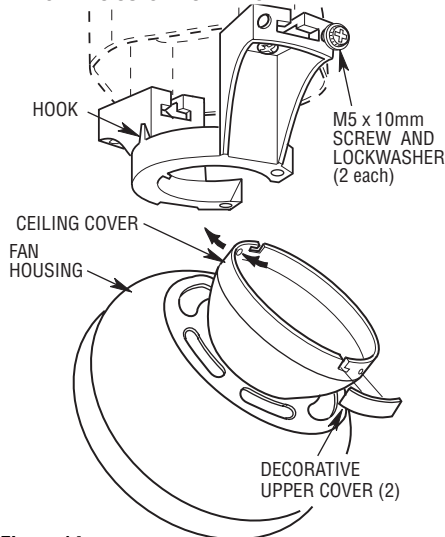


Figure 14

## How to Hang Your Ceiling Fan For Standard Mounting

- 1. Carefully lift the fan assembly and seat the hanger ball in the hanger bracket (Figure 15). The tab on the hanger bracket must seat in the groove in the hanger ball.

**⚠ WARNING**  
Failure to seat tab in groove could cause damage to electrical wires and possible shock or fire hazard.

**⚠ WARNING**  
To avoid possible fire or shock, do not pinch wires between the hanger ball/downrod assembly and hanger bracket.

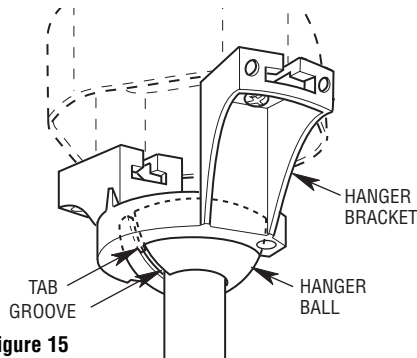


Figure 15

## How to Wire Your Ceiling Fan

If you feel that you do not have enough electrical wiring knowledge or experience, have your fan installed by a licensed electrician.

**⚠ WARNING**  
Turning off wall switch is not sufficient. To avoid possible electrical shock, be sure electricity is turned off at the main fuse box before wiring. All wiring must be in accordance with National and Local codes and the ceiling fan must be properly grounded as a precaution against possible electrical shock.

**NOTE:** Make all wiring connections using wire connectors (supplied). Make sure that all connections are tight, including ground, and that no bare wire is visible at the wire connectors, except for the ground wire.

- 1. Connect the green grounding lead from the hanger ball and the green grounding lead from the hanger bracket to the grounding conductor of supply (this may be a bare wire or wire with green colored insulation). Securely connect wires with wire connectors supplied.

**NOTE:** When wiring the ceiling fan for close-to-the-ceiling mounting, there will be no green grounding lead from the hanger ball.

**NOTE:** If you are using an Emerson Light Fixture with your fan, see Light Fixture Owner's Manual for wiring.

- 2. Securely connect the fan motor white wire to the supply white (neutral) wire using wire connector supplied (Figure 16). Securely connect the fan motor black wire to the supply black (hot) wire using wire connector supplied (Figure 16).
- 3. If a downlight is not being installed cap the blue wire using a supplied wire connector. If a downlight is being installed a separate hot supply must be available or an optional Emerson accessory control must be used. Follow the installation instruction of the accessory control, if used.
- 4. After connections have been made, turn leads upward and carefully push leads into the outlet box, with the white and green leads on one side of the outlet box and the black and blue leads on the other side of the outlet box.

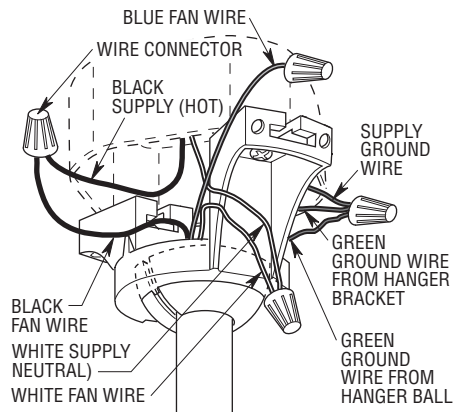


Figure 16

UL Model No.: CF130

**⚠ WARNING**  
 Check to see that all connections are tight, including ground, and that no bare wire is visible at the wire connectors, except for the ground wire. Do not operate fan until blades are in place. Noise and fan damage could result.

### Installation of Ceiling Cover For Close-to-the-Ceiling

**NOTE:** When installing the ceiling fan using the close-to-the-ceiling method, carefully lift the fan assembly from the hook on the hanger bracket and proceed as follows.

- 1. After connections have been made, turn leads upward and carefully push leads into the outlet box, with the green equipment-grounding conductor and white grounded neutral conductor on one side of the outlet box and the black and blue ungrounded conductors on the other side of the outlet box.
- 2. Lift the ceiling cover up to the hanger bracket. Engage the slots in the ceiling cover with the loosened screws in the bracket and turn the cover counter-clockwise (Figure 17). Be sure that the lockwashers are between the screw heads and the ceiling cover.
- 3. Install the remaining two lockwashers and screws (supplied); tighten all four screws securely.

**⚠ WARNING**  
 To avoid possible fire or shock, make sure that the electrical wires are completely inside the outlet box and not pinched between the ceiling cover and the ceiling.

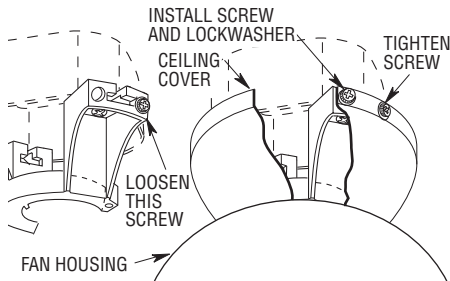


Figure 17

### Installation of Ceiling Cover For Standard Mounting

- 1. After connections have been made, turn leads upward and carefully push leads into the outlet box, with the green equipment-grounding conductor and white grounded neutral conductor on one side of the outlet box and the black and blue ungrounded conductors on the other side of the outlet box.

**⚠ WARNING**  
 To avoid possible fire or shock, make sure that the electrical wires are completely inside the outlet box and not pinched between the ceiling cover and the ceiling.

- 2. Screw the two 1-1/4" threaded studs (supplied) into the tapped holes in the hanger bracket (Figure 18).
- 3. Lift the ceiling cover up to the threaded studs and turn until the studs protrude through the holes in the ceiling cover (Figure 18).
- 4. Position the ceiling cover ring onto the threaded studs and secure both the ceiling cover and ring in place by sliding lockwashers (supplied) over the threaded studs and installing the two knurled knobs (supplied). (Figure 18). Tighten the knurled knobs securely until the ceiling cover fits snugly against the ceiling.

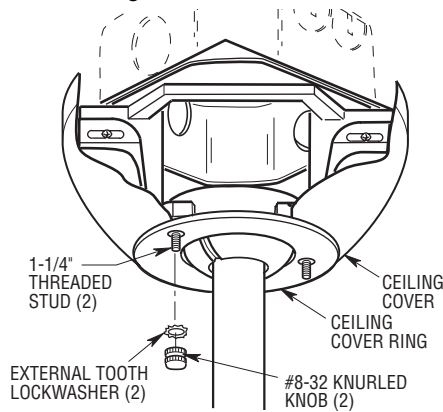


Figure 18

## Using Your Ceiling Fan

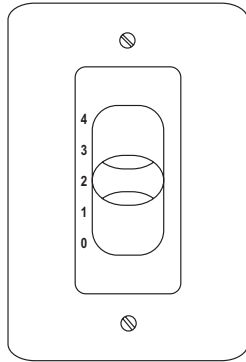


Figure 19

### IMPORTANT

Fan installation must be completed, including the installation of the fan blades, before testing of the controls.

- 1. Restore electrical power to the outlet box by turning the electricity on at the main fuse box.
- 2. Check the operation of the fan by sliding the bar of the control through the four positions marked 1 - 4 ("0" position is OFF) (Figure 19).
- 3. All fans are shipped from the factory with the reversing switch positioned to circulate air downward. If airflow is desired in opposite direction, turn your fan OFF and wait for the blades to stop turning, then slide the reversing switch to the opposite position, and turn fan on again (Figure 20).
- 4. The fan blades will turn in the opposite direction and reverse the airflow.

#### Reverse Switch Information

| Season | Rotation Direction | Switch Position |
|--------|--------------------|-----------------|
| Summer | Counter-Clockwise  | Right           |
| Winter | Clockwise          | Left            |

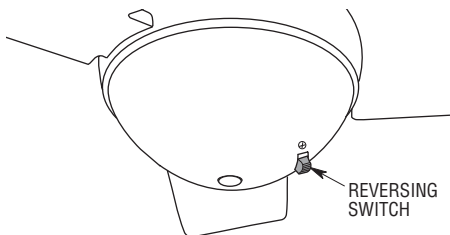


Figure 20

## Accessories

- 1. Downrod Extension Kits (see store or catalog).
- 2. Ceiling Fan Controls (see store or catalog).
- 3. Light Kits (see store or catalog).

### ⚠ WARNING

The use of any other control not specifically approved for this fan could result in fire, shock and personal injury.

### ⚠ WARNING

This product is designed to use only those parts supplied with this product and/or any accessories designated specifically for use with this product by Emerson Electric Co. Substitution of parts or accessories not designated for use with this product by Emerson Electric Co. could result in personal injury or property damage.

## Maintenance

### IMPORTANT CARE INSTRUCTIONS for your Ceiling Fan

Periodic cleaning of your new ceiling fan is the only maintenance that is needed.

When cleaning, use only a soft brush or lint free cloth to avoid scratching the finish.

Abrasive cleaning agents are not required and should be avoided to prevent damage to finish.

### ⚠ WARNING

Do not use water when cleaning your ceiling fan. It could damage the motor or the blades and create the possibility of an electrical shock.

**⚠ WARNING: FOR YOUR OWN SAFETY TURN OFF POWER AT FUSE BOX OR CIRCUIT BREAKER BEFORE TROUBLE SHOOTING YOUR FAN.**

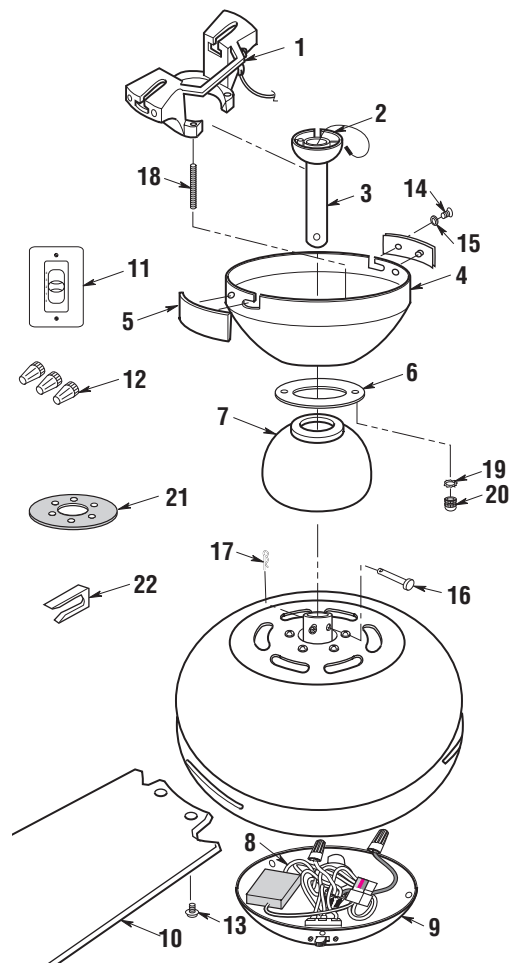
### Trouble Shooting

| TROUBLE                            | PROBABLE CAUSE   | SUGGESTED REMEDY  |
|------------------------------------|--|---|
| <b>1. Fan will not start.</b>      | 1. Fuse or circuit breaker blown.<br><br>2. Loose power line connections to the fan.   | 1. Check main and branch circuit fuses or circuit breakers.<br><b>⚠ WARNING: Make sure main power is turned off.</b><br>2. Check line power connections to fan.   |
| <b>2. Fan sounds noisy.</b>        | 1. Blades not attached to fan.<br><br>2. Screws securing fan blades to motor are loose.<br><br>3. Loose screws in motor housing.   | 1. Attach blades to fan before operating.<br>2. Check to make sure the screws which attach the blades to the motor are tight.<br><b>⚠ WARNING: Make sure main power is turned off.</b><br>3. Check to make sure all screws in motor housing are snug (not over-tight)   |
| <b>3. Fan wobbles excessively.</b> | 1. Setscrews in motor coupling are not tightened securely.<br>2. Setscrew in the hanger ball/downrod assembly is loose.<br>3. Screws securing fan blades to motor are loose.<br><br>4. Fan blades are not seated properly.<br><br>5. Hanger bracket and/or ceiling outlet box is not securely fastened.<br>6. Fan blades out of balance. | 1. Raise coupling cover and tighten setscrews securely.<br>2. Tighten the setscrew in the hanger ball/downrod assembly.<br>3. Check to be sure screws which attach the fan blade to the motor are tight.<br>4. Check to be sure that the screws securing the fan blades seat firmly.<br>5. Tighten the hanger bracket screws to the outlet box, and/or secure outlet box.<br>6. Interchanging an adjacent (side by-side) blade pair can redistribute the weight and result in smoother operation.<br>Or use supplied balancing kit to balance blades. |

## Repair Parts Listing

| Key No. | Description  | Damp Part Numbers      |                         |                        |
|---------|--|------------------------|-------------------------|------------------------|
|         |  | Model No.<br>CF130BS00 | Model No.<br>CF130ORB00 | Model No.<br>CF130WW00 |
| *       | Hanger Pack Consisting of:                         | 762231-4               | 762231-8                | 762231-1               |
| 1       | Hanger Bracket Assembly                            | —                      | —                       | —                      |
| 2       | Hanger Ball  | —                      | —                       | —                      |
| 3       | Downrod, 4.5"                                      | —                      | —                       | —                      |
| 4       | Ceiling Cover                                      | 764029-BS              | 764029-ORB              | 764029-WW              |
| 5       | Decorative Upper Cover (2)                         | 764030-BS              | 764030-ORB              | 764030-WW              |
| 6       | Decorative Lower Cover                             | 764031-BS              | 764031-ORB              | 764031-WW              |
| 7       | Coupler Cover                                      | 764032-BS              | 764032-ORB              | 764032-WW              |
| 8       | Harness, Wiring                                    | 764041                 | 764041                  | 764041                 |
| 9       | Switch Housing                                     | 764040-BS              | 764040-ORB              | 764040-WW              |
| 10      | Blade Assembly                                     | 764038-DC              | 764038-DC               | 764038-WW              |
| 11      | SW46 Wall Control (1)                              | 761971                 | 761971                  | 761971                 |
| *       | Parts Bag, Containing:                             | 764042                 | 764042-1                | 764042                 |
| 12      | Connector, Wire, 12 Ga. (4)                        | —                      | —                       | —                      |
| 13      | Screw, Flange Head, Blade<br>M5 x 14mm (7)         | —                      | —                       | —                      |
| 14      | Screw, Flat Head, Switch<br>Housing, M5 x 10mm (4) | —                      | —                       | —                      |
| 15      | Lockwasher, External Tooth<br>Switch Housing (4)   | —                      | —                       | —                      |
| 16      | Pin, Clevis (1)                                    | —                      | —                       | —                      |
| 17      | Clip, Hairpin (1)                                  | —                      | —                       | —                      |
| 18      | Stud, Threaded<br>#8-32 x 1-1/4" (2)               | —                      | —                       | —                      |
| 19      | Lockwasher, External Tooth<br>#8-32 x 1-1/4" (2)   | —                      | —                       | —                      |
| 20      | Knob, Knurled #8-32 (2)                            | —                      | —                       | —                      |
| 21      | Rubber Gasket (1)                                  | —                      | —                       | —                      |
| 22      | Kit, Balancing (1)                                 | —                      | —                       | —                      |
| —       | Owner's Manual                                     | BP7404-1               | BP7404-1                | BP7404-1               |

## Repair Parts



**Before discarding packaging material, be certain all parts have been removed.**

### HOW TO ORDER REPAIR PARTS

WHEN ORDERING REPAIR PARTS, ALWAYS GIVE THE FOLLOWING INFORMATION:

- PART NUMBER
- PART DESCRIPTION
- NAME OF ITEM
- MODEL NUMBER

The model number of your Fan will be found on a label attached to the top housing.  
For repair parts, phone 1-800-654-3545.

## LIMITED WARRANTY

### **What The Warranty Covers:**

This warranty covers the motor and the other components and accessories of your Emerson ceiling fan against all defects in workmanship and materials. You must be the original purchaser or user of the product to be covered.

### **What The Period Of Coverage Is:**

As it applies to the motor, this warranty will last for the lifetime of your ceiling fan. All other components and accessories are covered by this warranty for one year from the date you purchased your ceiling fan. ANY IMPLIED WARRANTY OF MERCHANTABILITY OR FITNESS FOR A PARTICULAR PURPOSE, MADE WITH RESPECT TO COMPONENTS AND ACCESSORIES IS ALSO LIMITED TO ONE YEAR.

### **What Will Emerson Electric Co. Do To Correct Problems:**

Emerson Electric Co. will replace a defective Emerson Air Comfort Ceiling Fan motor, blade, component or other accessory at no charge to you. If repair of the motor or blades is not practical or possible within a reasonable time and no replacement can be provided, Emerson will refund the actual purchase price of your fan. **WE WILL SHIP THE REPAIRED PRODUCT OR REPLACEMENT TO YOU AT NO CHARGE, BUT YOU ARE RESPONSIBLE FOR ALL COSTS OR REMOVAL, REINSTALLATION AND SHIPPING OF THE PRODUCT TO EMERSON ELECTRIC CO.**

### **How Can You Get Service:**

YOU MUST HAVE PROOF OF YOUR PURCHASE OF THE CEILING FAN TO OBTAIN LIMITED WARRANTY SERVICE. KEEP YOUR RECEIPT OR OTHER PROOF OF PURCHASE. You can return the product to our factory or to your nearest authorized service center.

- To return the product to the factory, obtain a return authorization and service identification tag by writing to Air Comfort Products, Division of Emerson Electric Co., 8100 W. Florissant Ave., St. Louis, MO 63136. Include all model numbers shown on the product with your request.
- To return the product to an authorized service center, call 1-800-654-3545 for the address of the nearest authorized service center.

You will be responsible for all insurance, freight or other transportation charges to our factory or authorized service center. Your Emerson Air Comfort Ceiling Fan should be properly packed to avoid damage in transit since we will not be responsible for any such damage.

### **What Is Not Covered:**

The glass globes and light bulbs of your ceiling fan are not covered by this warranty. This warranty also does not cover any defects, malfunctions or failures caused by:

- Repairs by persons not authorized by Emerson Electric Co.,
  - Use of parts or accessories not authorized by Emerson Electric Co.,
  - Mishandling, improper installation, modifications or damage to your ceiling fan while in your possession, or
  - Unreasonable use, misuse, abuse, including failing to do reasonable and necessary maintenance, and normal wear and tear.
- Additionally, this warranty and any implied warranty of merchantability or fitness for a particular purpose are voided when:
- The original purchaser or user ceases to own the product, or
  - The fan is moved from its original point of installation.

This warranty is only valid within the 50 states of the United States and the District of Columbia. No other written or oral warranties apply, and no employee, agent, dealer or other person is authorized to give any warranties on behalf of Emerson Electric Co.

REPAIR, REPLACEMENT OR A REFUND ARE THE EXCLUSIVE REMEDIES AVAILABLE UNDER THIS WARRANTY AND EMERSON IS NOT RESPONSIBLE FOR DAMAGES OF ANY KIND, INCLUDING INCIDENTAL AND CONSEQUENTIAL DAMAGES. Incidental damages include but are not limited to such damages as loss of time and loss of use. Consequential damages include but are not limited to the cost of repairing or replacing other property which was damaged if this product does not work properly.

### **How State Law Relates To The Warranty:**

Some states do not allow the exclusion or limitation of incidental or consequential damages so the above exclusion or limitation may not apply to you. This warranty gives you specific legal rights, and you may also have other rights which vary from state to state.



**EMERSON™**

**Air Comfort Products**

DIVISION OF EMERSON ELECTRIC CO.  
8100 W. Florissant • St. Louis, MO 63136

Part No. F40BP74040001

Printed in China 02/11

Form No. BP7404-1  
UL Model No.: CF130