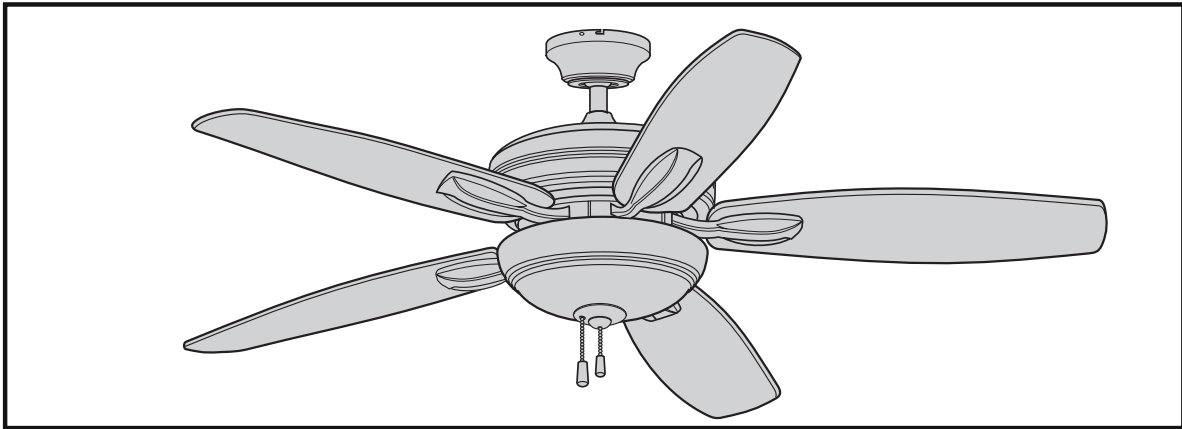


READ AND SAVE THESE INSTRUCTIONS



EMERSON™



ASHLAND™

52" Ceiling Fan Owner's Manual

Model Numbers

CF717BS00
Brushed Steel

CF717ORB00
Oil Rubbed Bronze

CF717SW00
Satin White

Net Weight: **18.8** Lbs.

Questions, problems, missing parts: Before returning to the store call
Emerson Electric Customer Service
8 a.m. - 6 p.m., Eastern, Monday-Friday

1-800-654-3545

www.emersonfans.com

Table of Contents

Section	Page	Section	Page
Safety Instructions	2	9. Installation of Ceiling Cover	13
1. Unpacking Instructions	3-4	10. Installation of Ceiling Fan Blades	14
2. Electrical Requirements	4	11. Installation of Light Kit Assembly	15
3. Installing Hanger Ball/Downrod Assembly	5-7	12. Using Your Ceiling Fan	17
4. Installing Ceiling Cover on Fan Motor Housing	8	13. Maintenance	17
5. Installation of Hanger Bracket	9-10	14. Accessories	17
6. Hanging the Ceiling Fan (Standard)	11	15. Trouble Shooting	18
7. Hanging the Ceiling Fan (Close-to-the-Ceiling)	11	16. Repair Parts	20-21
8. How to Wire Your Ceiling Fan	12	Ceiling Fan Limited Warranty	27

READ AND SAVE THESE INSTRUCTIONS

Safety Instructions

WARNING

TO REDUCE THE RISK OF FIRE, ELECTRICAL SHOCK, OR INJURY TO PERSONS, OBSERVE THE FOLLOWING:

- a. Use this unit only in a manner intended by the manufacturer. If you have questions, contact the manufacturer.
- b. Before servicing or cleaning unit, switch power off at service panel and lock service panel disconnecting means to prevent power from being switched on accidentally. When the service disconnecting means cannot be locked, securely fasten a warning device, such as a tag, to the service panel.

1. Read your owner's manual carefully and keep it for future reference.
2. Be careful of the fan and blades when cleaning, painting, or working near the fan. Always turn off the power to the ceiling fan before servicing.
3. Do not put anything into the fan blades while they are turning.
4. Do not operate reversing switch until fan blades have come to a complete stop.

Additional Safety Instructions for Installation

1. To avoid possible shock, be sure electricity is turned off at the fuse box before wiring, and do not operate fan without blades.
2. All wiring must be in accordance with the National Electrical Code "ANSI/NFPA 70-2014" and Local Electrical Codes. Use the National Electrical Code if Local Codes do not exist. The ceiling fan must be grounded as a precaution against possible electrical shock. Electrical installation should be made or approved by a licensed electrician.

3. The outlet box and joist must be securely mounted and capable of reliably supporting at least 50 pounds. Use only U.L. outlet boxes listed as "Acceptable for Fan Support of 22.7 kg. (50 lbs.) or less", and use the mounting screws provided with the outlet box. Most outlet boxes commonly used for support of light fixtures are not acceptable for fan support and may need to be replaced. Consult a qualified electrician if in doubt.
4. The downrod furnished with the fan provides the minimum recommended floor to fan blade clearance for an 8 foot ceiling.
5. The fan must be mounted with the fan blades at least 7 feet from the floor to prevent accidental contact with the fan blades.
6. Follow the recommended instructions for the proper method of wiring your ceiling fan. If you do not know enough about electrical wiring, have your fan installed by a licensed electrician.

WARNING: To reduce the risk of electrical shock, this fan must be installed with an isolating wall control/switch.

NOTE: This fan is suitable for use with solid-state speed controls.

WARNING: This product is designed to use only those parts supplied with this product and/or any accessories designated specifically for use this product by Emerson Electric Co. Substitution of parts or accessories not designated for use with this product by Emerson could result in personal injury or property damage.

WARNING: To reduce the risk of personal injury, do not bend the blade flange when installing the blade flanges, balancing the blades or cleaning the fan. Do not insert foreign objects in between rotating fan blades.

WARNING: To avoid fire, shock or injury, do not use an Emerson or any other brand of control not specifically approved for this fan.

NOTE: All setscrews must be checked and re-tightened where necessary before installation.

DATE CODE: _____

The date code of this fan may be found on the box, stamped in ink on a white label. You should record this data above and keep it in a safe place for future use.

1. Unpacking Instructions

⚠ WARNING

Do not install or use fan if any part is damaged or missing. Call Toll-Free:

1-800-654-3545

⚠ WARNING

This product is designed to use only those parts supplied with this product and/or any accessories designated specifically for use with this product by Emerson Electric Co. Substitution of parts or accessories not designated for use with this product by Emerson Electric Co. could result in personal injury or property damage.

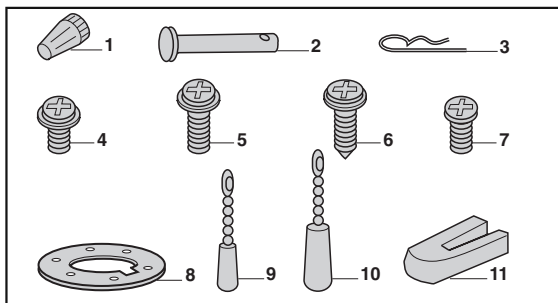
1.1

Check to see that you have received the following parts:

NOTE: If you are uncertain of part description, refer to exploded view illustration.

HARDWARE CONTENTS

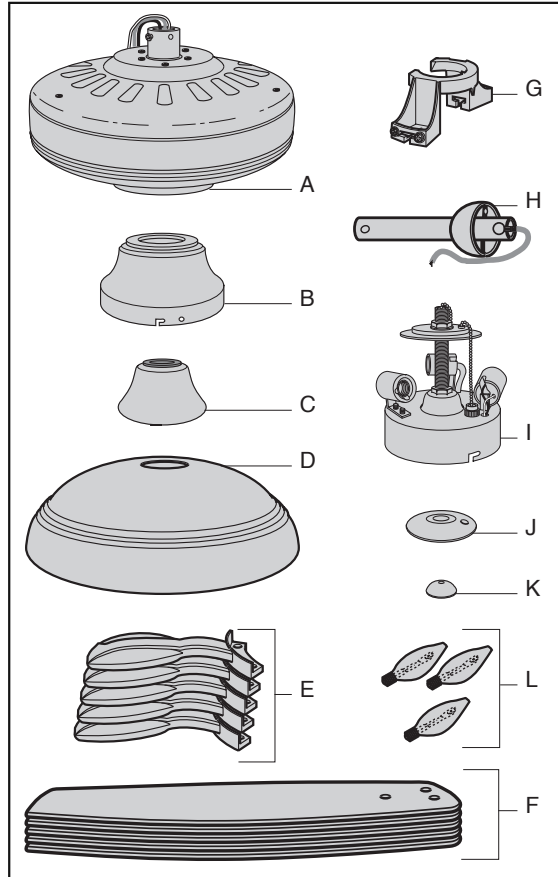
Part	Description	Quantity
1	Wire Connectors, 12 ga.	5
2	Clevis Pin	1
3	Hairpin Clip	1
4	#8-32 x 8mm Washer Head Blade Screws	16
5	1/4-20 x 1/2" Oval Head Screws with Lockwashers	11
6	5/32" Truss Head Screw with Lockwasher (spare)	1
7	5/32" Truss Screw (spare)	1
8	M5 Screw (spare)	1
9	Small Wood Pendant w/Coupling	1
10	Large Wood Pendant w/Coupling	2
11	Blade Balance Kit	1



NOTE: Place the parts from the loose parts bags in a small container to keep them from being lost. If any parts are missing, contact your local retailer or catalog outlet for replacement before proceeding.

PACKAGE CONTENTS

Part	Description	Quantity
A	Fan Motor Assembly	1
B	Ceiling Cover	1
C	Coupler Cover	1
D	Glass Shade	1
E	Fan Blades Flanges	5
F	Fan Blades	5
G	Hanger Bracket, Dual Mount	1
H	Hanger Ball/4.5" Downrod Assembly	1
I	Light Kit Assembly	1
J	Bowl Cap	1
K	Finial Nut	1
L	60 Watt Candelabra Bulbs	3



1.2

Remove the fan motor assembly from the protective plastic bag.



1. Unpacking Instructions (continued)

This Manual Is Designed to Make it as Easy as Possible for You to Assemble, Install, Operate and Maintain Your Ceiling Fan

1.3

Place the fan assembly into the upper foam pad with the top of the motor facing up.

The upper foam pad serves as a holder for the fan during assembly.

Installed Wire Length	Wire Size A.W.G.
Up to 50 ft.	14
50-100 ft.	12

Tools Needed for Assembly

- One Phillips head screwdriver
- One 1/4" blade screwdriver
- One stepladder
- One wire stripper

Materials

Wiring outlet box and box connectors must be of type required by the local code. The minimum wire would be a 3-conductor (2-wire with ground) of following size:

⚠ WARNING

Before assembling your ceiling fan, refer to section on proper method of wiring your fan (page 10). If you feel you do not have enough wiring knowledge or experience, have your fan installed by a licensed electrician.

2. Electrical Requirements

Your new ceiling fan will require a grounded electrical supply line of 120 volts AC, 60 Hz, 15 amp circuit.

The outlet box must be securely anchored and capable of withstanding a load of at least 50 pounds.

If your fan is to replace an existing ceiling light fixture, turn electricity off at the main fuse box at this time and remove the existing light fixture.

⚠ WARNING

To reduce the risk of fire, electric shock, or personal injury, mount fan to outlet box marked "Acceptable for Fan Support of 22.7 kg. (50 lbs.) or less", and use screws supplied with outlet box. Most outlet boxes commonly used for support of light fixtures are not acceptable for fan support and may need to be replaced. Consult a qualified electrician if in doubt.

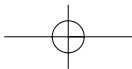
⚠ WARNING

To avoid fire or shock, follow all wiring instructions carefully.

Any electrical work not described in these instructions should be done or approved by a licensed electrician.

⚠ WARNING

Turning off wall switch is not sufficient. To avoid possible electrical shock, be sure electricity is turned off at the main fuse box before wiring. All wiring must be in accordance with National and Local codes and the ceiling fan must be properly grounded as a precaution against possible electrical shock.



IMPORTANT

Your ceiling fan is designed to be installed either in the standard manner, or in the close-to-the-ceiling manner. Using the standard method, the hanger ball/downrod assembly will suspend the fan several inches below the ceiling cover. Using the close-to-the-ceiling method, the ceiling cover installs directly on the fan motor housing, thus mounting the fan 3-1/2 inches closer to the ceiling than the standard method. In no case should the fan blades be lower than seven feet above the floor. Depending on your desired mounting method, proceed to "3. INSTALLING HANGER BALL/DOWNROD ASSEMBLY" for standard mounting, or to "4. INSTALLING CEILING COVER ON FAN MOTOR HOUSING" for close-to-the-ceiling mounting.

3. Installing Hanger Ball/Downrod Assembly (For Standard Mounting)

3.1

Remove the hanger ball by loosening the setscrew in the hanger ball until the ball falls freely down the downrod (Figure 1).

Remove the pin from the downrod, then remove the hanger ball. Retain the pin and hanger ball for reinstallation in Step ???

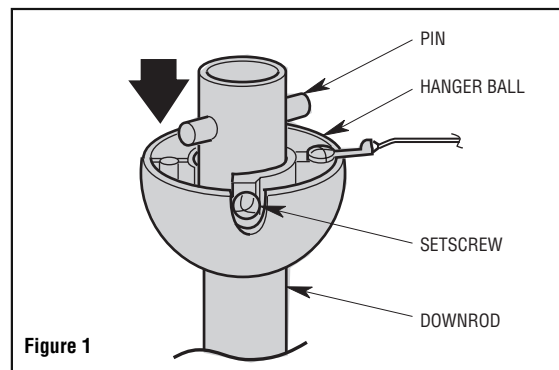


Figure 1

3.2

Separate, untwist and unkink the three 42" motor leads. Route the motor lead wires through the downrod.

Align the clevis pin holes in the downrod with the holes in the motor coupling. Install the clevis pin and secure with the hairpin clip (Figure 2).

The clevis pin must go through the holes in the motor coupling and the holes in the downrod. Be sure to push the straight leg of the hairpin clip through the hole near the end of the clevis pin until the curved portion of the hairpin clip snaps around the clevis pin.

The hairpin clip must be properly installed to prevent the clevis pin from working loose. Pull on the downrod to make sure the clevis pin is properly installed.

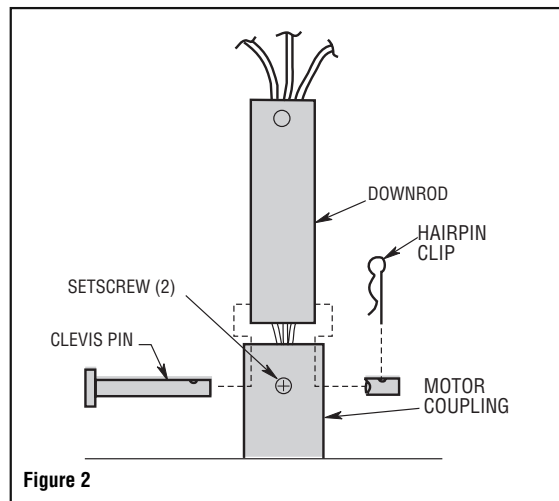


Figure 2

3. Installing Hanger Ball/Downrod Assembly (For Standard Mounting) (continued)

3.3

Securely tighten the two setscrews into the motor coupler until they rest against the downrod.

Pull up on the downrod to make sure the setscrews are firmly installed against the downrod (Figure 3).

NOTE: The setscrew must be properly installed as described above, or fan wobble could result.

⚠ WARNING

It is critical that the clevis pin in the motor coupler is properly installed and the setscrews securely tightened. Failure to verify that the pin and setscrews are properly installed could result in the fan falling.

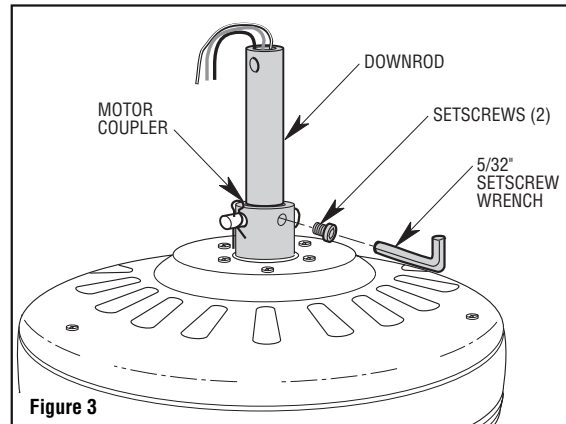


Figure 3

3.4

Make sure the grommet is properly installed in the motor coupler cover then slide the motor coupler cover on the downrod until it rests on the motor housing. Be sure the motor coupler cover is oriented correctly (Figure 4).

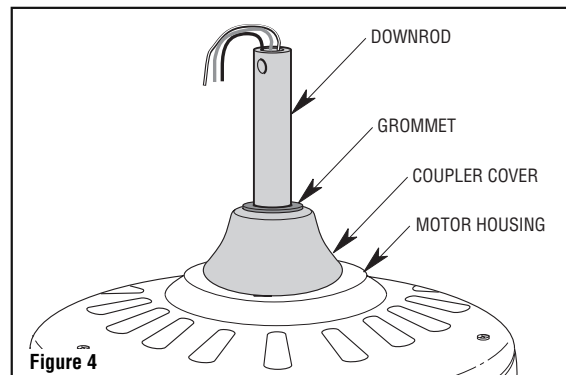


Figure 4

3.5

Pass the 42-inch long motor leads through the opening in the ceiling cover.

Place the ceiling cover over the downrod. Be sure the ceiling cover is oriented correctly (Figure 5).

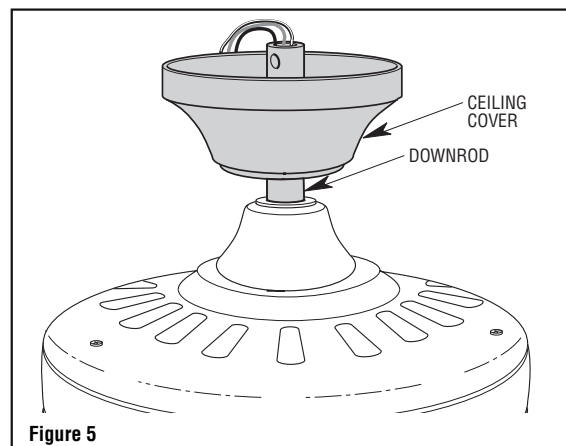


Figure 5

3. Installing Hanger Ball/Downrod Assembly (For Standard Mounting) (continued)

3.6

Reinstall the hanger ball (Figure 6) on the downrod as follows. Route the 42-inch motor leads through the hanger ball. Position the pin through the two holes in the downrod and align the ball so the pin is captured in the groove in the top of the hanger ball. Pull the hanger ball up tight against the pin and securely tighten the setscrew in the hanger ball. A loose setscrew could create fan wobble.

⚠ WARNING

It is critical that the pin in the hanger ball is properly installed and the setscrew securely tightened. Failure to verify that the pin and setscrew are properly installed could result in the fan falling.

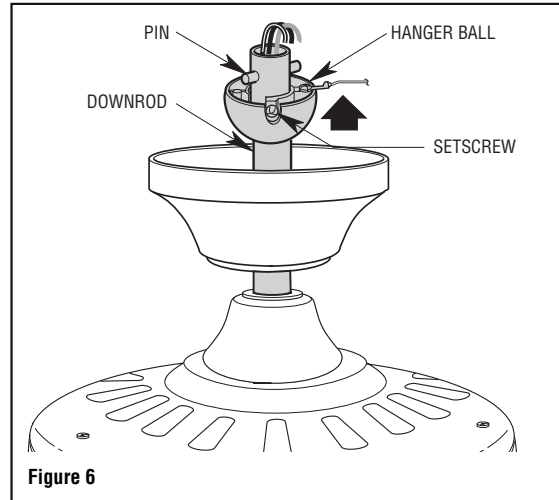


Figure 6

3.7

The fan comes with blue, black and white leads that are 42-inches long. Before installing the fan, measure up approximately 6 to 9-inches above top of hanger ball/downrod assembly (Figure 7). Cut off excess leads and strip back insulation 1/2-inch from end of leads.

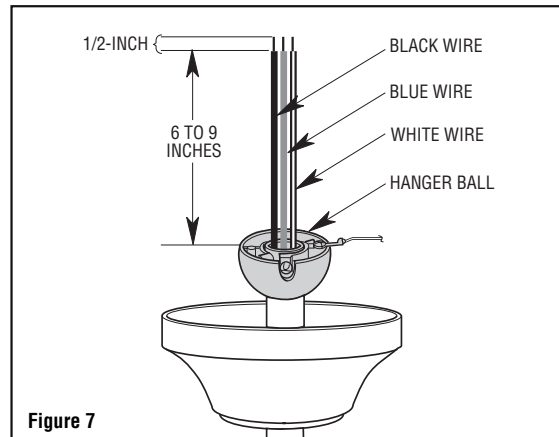


Figure 7

4. Installing Ceiling Cover on Fan Motor Housing (For Close-to-the-Ceiling Mounting)

4.1

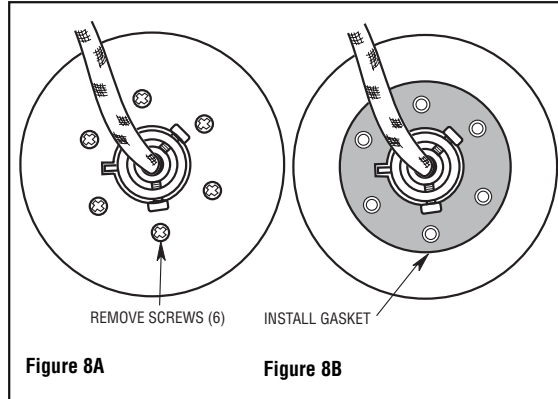
Remove and retain six screws and lockwashers from the top of the motor housing (Figure 8A).

4.2

Remove the paper backing off the rubber gasket (supplied in parts bag) to expose the adhesive.

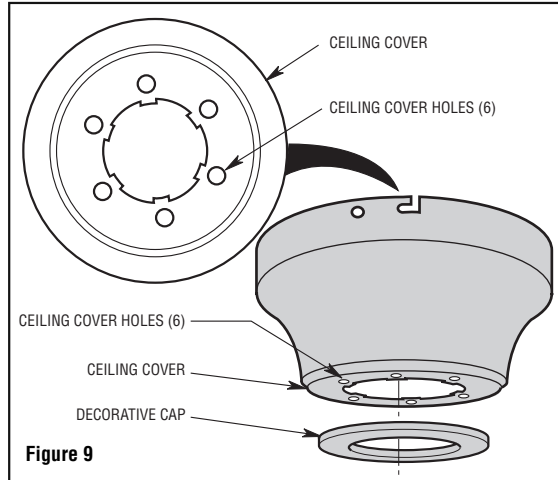
Position the rubber gasket on the motor housing (small holes in gasket centered over the screw holes in the housing and the notched area of the rubber gasket over the notched area of the housing).

Press the rubber gasket (adhesive side down) onto the motor housing to secure gasket (Figure 8B).



4.3

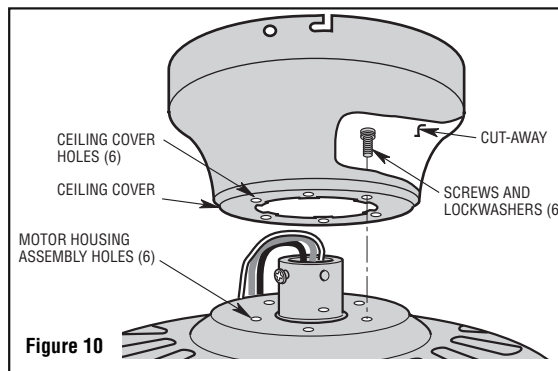
Gently pry the decorative cap from the ceiling cover to expose the six holes in the ceiling cover (Figure 9).



4.4

Place the ceiling cover onto the motor housing assembly by aligning the holes in the ceiling cover with the holes in the motor housing (Figure 10).

Secure the ceiling cover to the motor housing assembly by reinstalling the previously removed six screws and lockwashers (Figure 10).



5. Installation of Hanger Bracket

⚠ WARNING

The fan must be hung with at least 7' of clearance from floor to blades (Figure 11).

⚠ WARNING

Turning off wall switch is not sufficient. To avoid possible electrical shock, be sure electricity is turned off at the main fuse box before wiring. All wiring must be in accordance with National and Local codes and the ceiling fan must be properly grounded as a precaution against possible electrical shock.

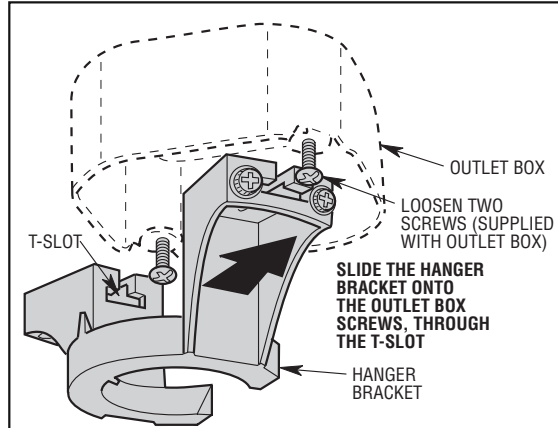


Figure 11

⚠ WARNING

The outlet box and joist must be securely mounted and capable of supporting at least 50 lbs. Use only a U.L. outlet box listed as "Acceptable for Fan Support of 22.7 kg. (50 lbs.) or less".

⚠ WARNING

To reduce the risk of fire, electric shock, or personal injury, mount fan to outlet box marked "Acceptable for Fan Support of 22.7 kg. (50 lbs.) or less", and use screws supplied with outlet box. Most outlet boxes commonly used for support of light fixtures are not acceptable for fan support and may need to be replaced. Consult a qualified electrician if in doubt.

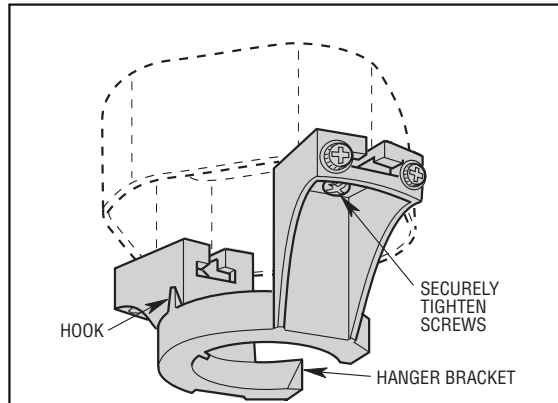


Figure 12

5.1

Unscrew (but do not remove) the two mounting screws in the outlet box (Figure 12). Position the hanger bracket on the outlet box so that the T-slots in the hanger bracket are aligned with the outlet box screws.

NOTE: The hanger bracket must be mounted flush with the ceiling in order for the ceiling cover to install properly. If necessary, use leveling washers (not supplied) between the outlet box and the hanger bracket.

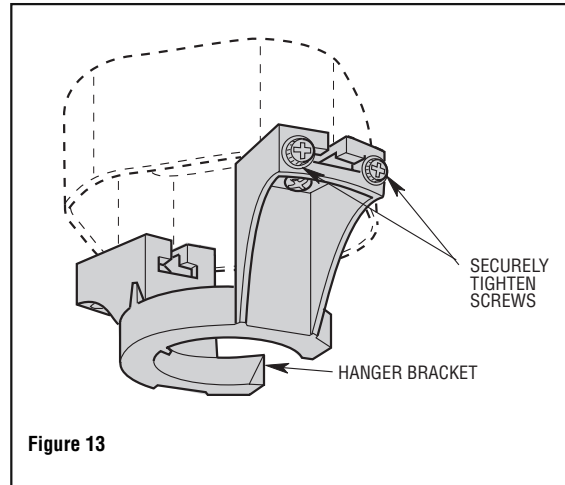
5. Installation of Hanger Bracket (continued)

5.2

Slide the hanger bracket onto the outlet box screws. Center the bracket over the outlet box and then securely tighten the screws (Figure 13).

WARNING

Hanger bracket must seat firmly against outlet box. If the outlet box is recessed, use leveling washers between the hanger bracket and the outlet box until the bracket is flush with the ceiling. If bracket and/or outlet box are not securely attached, the fan could wobble or fall.



6. Hanging the Ceiling Fan (Standard Method Using Hanger Ball/Downrod)

6.1

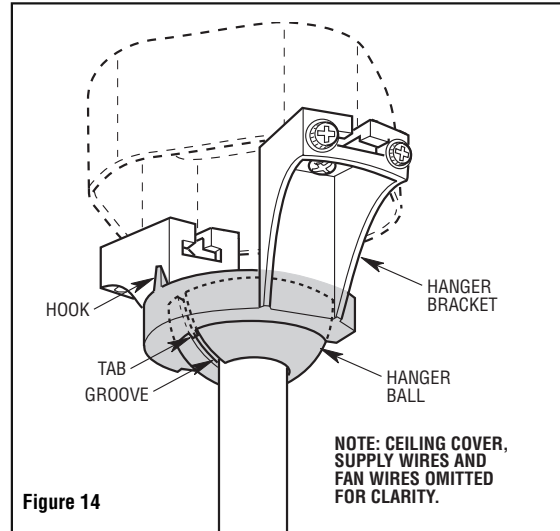
Carefully lift the fan assembly and seat the hanger ball in the hanger bracket (Figure 14). The tab on the hanger bracket must seat in the groove in the hanger ball.

⚠ WARNING

Failure to seat tab in groove could cause damage to electrical wires and possible shock or fire hazard.

⚠ WARNING

To avoid possible fire or shock, do not pinch wires between the hanger ball/downrod assembly and hanger bracket.



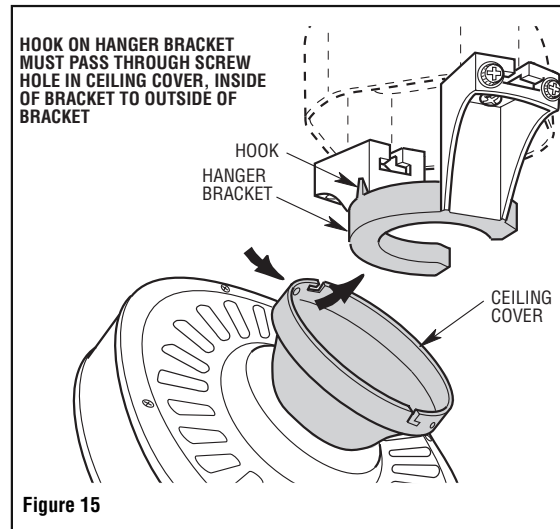
7. Hanging the Ceiling Fan (Close-to-the-Ceiling Method with Ceiling Cover Installed on the Motor Housing)

7.1

Carefully lift the fan assembly up to the hanger bracket. Pass the hook on the hanger bracket (Figure 15) through one of the screw holes (not the slots) in the ceiling cover (Figure 15). The hook must pass from the inside of the ceiling cover to the outside. The hook will hold the fan assembly while connecting the wiring.

⚠ WARNING

The hook must pass through the screw hole in the ceiling cover from the inside to the outside. Any other hanging method may cause the hook to break and the fan to fall.



8. How to Wire Your Ceiling Fan

If you feel that you do not have enough electrical wiring knowledge or experience, have your fan installed by a licensed electrician.

⚠ WARNING

To avoid possible electrical shock, be sure electricity is turned off at the main fuse box before wiring.

NOTE: If you are not sure if the outlet box is grounded, contact a licensed electrician for advice, as it must be grounded for safe operation.

⚠ WARNING

Turning off wall switch is not sufficient. To avoid possible electrical shock, be sure electricity is turned off at the main fuse box before wiring. All wiring must be in accordance with National and Local codes and the ceiling fan must be properly grounded as a precaution against possible electrical shock.

8.1

Connect the green grounding lead from the hanger ball and the green grounding lead from the hanger bracket to the grounding conductor of supply (this may be a bare wire or wire with green colored insulation) (Figure 16). Securely connect wires using wire connectors supplied.

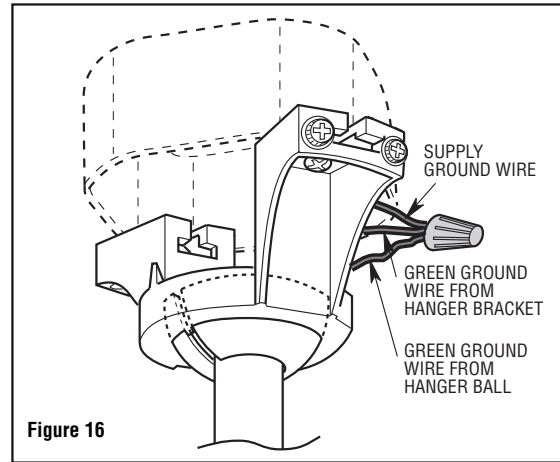


Figure 16

NOTE: When wiring the ceiling fan for close-to-the-ceiling mounting, there will be no green grounding lead from the hanger ball.

⚠ WARNING

This product is designed to use only those parts supplied with this product and/or any accessories designated specifically for use with this product by Emerson Electric Co. Substitution of parts or accessories not designated for use with this product by Emerson Electric Co. could result in personal injury or property damage.

8.2

Securely connect the fan motor white wire to the supply white (neutral) wire using wire connector supplied (Figure 17).

Securely connect the fan motor black wire and blue wire to the supply black (hot) wire using wire connector supplied (Figure 17).

After connections have been made, turn leads upward and carefully push leads into the outlet box, with the white and green leads on one side of the outlet box and the black and blue leads on the other side of the outlet box.

⚠ WARNING

Check to see that all connections are tight, including ground, and that no bare wire is visible at the wire connectors, except for the ground wire. Do not operate fan until blades are in place. Noise and fan damage could result.

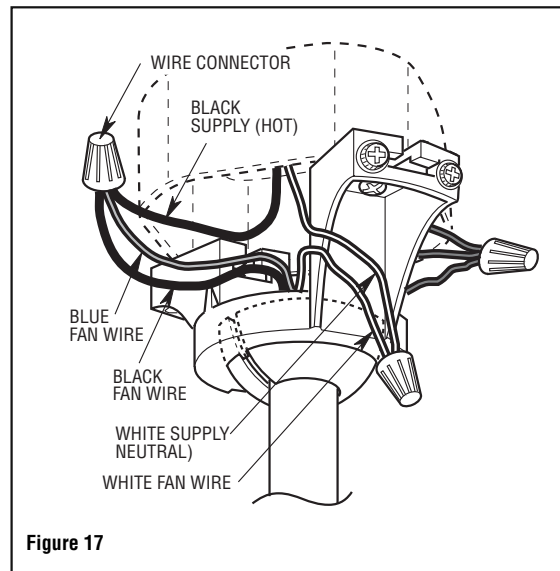


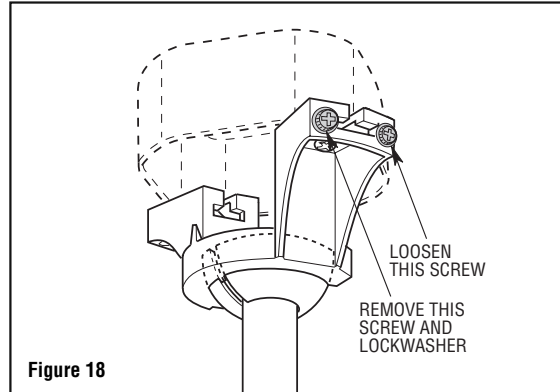
Figure 17

9. Installation of Ceiling Cover

9.1

Remove the left screw and lockwasher from each side of the hanger bracket (Figure 18) and loosen the other two screws.

NOTE: When installing the ceiling fan using the close-to-the-ceiling method, carefully lift the fan assembly from the hook on the hanger bracket and proceed as follows.



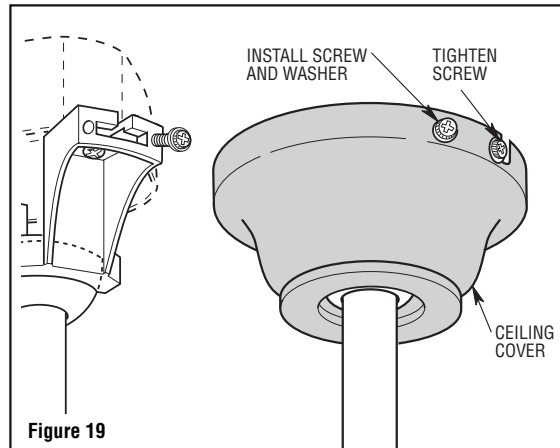
9.2

Lift the ceiling cover up to the hanger bracket. Engage the slots in the ceiling cover with the loosened screws in the bracket and turn the cover counterclockwise (Figure 19). Be sure that the lockwashers are between the screw heads and the ceiling cover.

Install the other two screws and lockwashers; tighten all screws securely

⚠ WARNING

To avoid possible fire or shock, make sure that the electrical wires are completely inside the outlet box and not pinched between the ceiling cover and the ceiling.



10. Installation of Ceiling Fan Blades

10.1

Remove and discard the five motor hub spacers to free the motor for installation of ceiling fan blades (Figure 20).

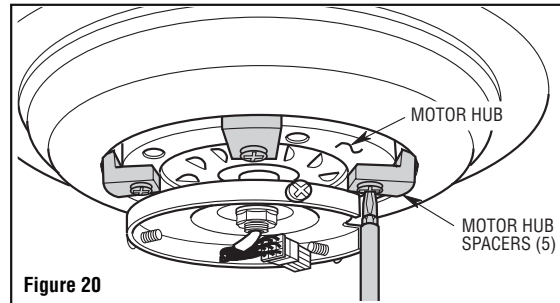


Figure 20

10.2

Mount the blade flanges to the fan blades using three #8-32 x 8mm washer head blade screws (supplied) per blade (Figure 21).

Repeat this procedure for remaining four fan blades and blade flanges.

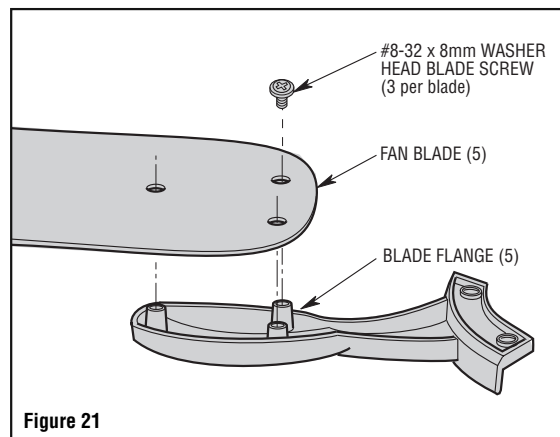


Figure 21

⚠ WARNING

To reduce the risk of personal injury, do not bend the blade flanges when installing the flanges, balancing the blades, or cleaning the fan. Do not insert foreign objects between rotating fan blades.

10.3

Rotate the motor hub to expose the motor flange holes through the switch cup plate.

Attach a blade/flange assembly to the motor hub using two 1/4-20 x 1/2" oval head screws (supplied) (Figure 22). Do not tighten completely at this time.

Install remaining blade assemblies in the same way. Gently snug all flange screws to the motor hub, working around the hub in a clockwise sequence.

NOTE: Take care not to scratch fan housing assembly when installing blades.

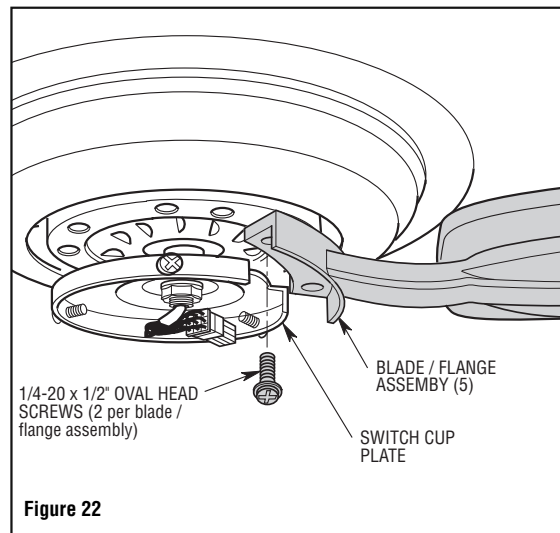


Figure 22

11. Installation of Light Kit Assembly

11.1

Engage the connector of the light kit assembly with the motor connector (Figure 23).

The two connectors are keyed and color-coded and must be mated correctly (color-to-color) before they can be engaged.

Make sure the connector latch closes properly.

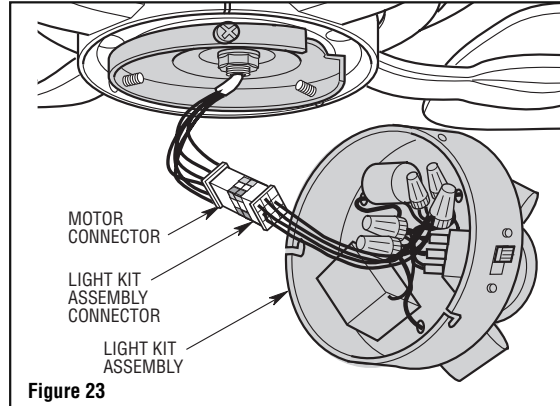


Figure 23

⚠ WARNING

To avoid possible fire or shock, do not pinch wires between the light kit assembly and the switch cup plate.

11.2

Remove one switch cup plate screw and retain for future use. (Figure 24). Loosen the two switch cup plate screws.

Position the light kit assembly notched holes onto the switch cup plate's two loosened screws.

Rotate the light kit assembly clockwise to engage the two screws (Figure 24).

Secure the light kit assembly by installing the previous removed screw (Figure 24).

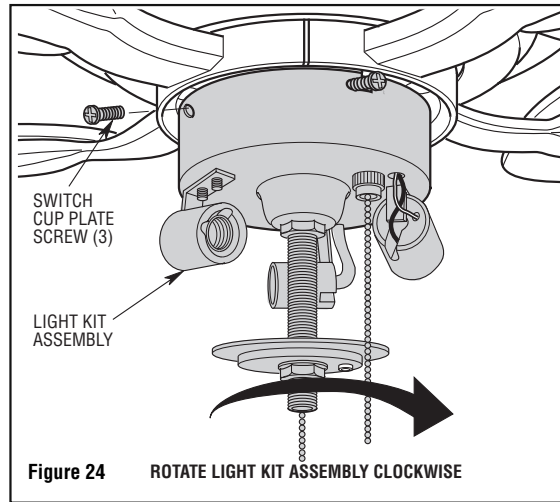


Figure 24 ROTATE LIGHT KIT ASSEMBLY CLOCKWISE

11.3

Screw the three 60-watt (maximum) candelabra base bulbs in the light kit assembly sockets (Figure 25).

⚠ WARNING

Over lamping the fan will result in the lamps being automatically shut off. Use only 60 watt maximum candelabra base bulbs. Turn off the electricity before replacing the bulbs.

⚠ WARNING

To avoid risk of burns or other injuries, turn power off and allow lamps to fully cool before attempting to replace the candelabra base bulbs.

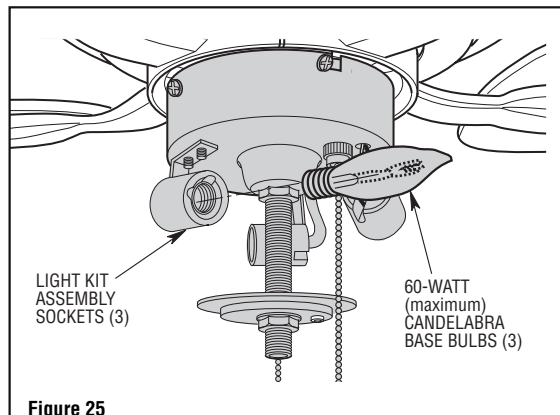


Figure 25

11. Installation of Light Kit Assembly (continued)

11.4

Position the fan speed control switch pull chain through the side hole of the light kit fitter plate (Figure 26).

NOTE: Be sure that the fan switch chain does not make contact with the light bulbs. If necessary reposition the light fitter to avoid the fan switch chain from touching the light bulbs.

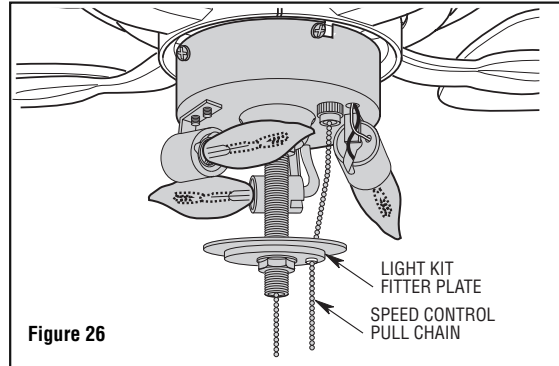


Figure 26

11.5

Position the light switch pull chain through the center hole of the glass shade.

Position the speed control switch pull chain through the center hole of the glass shade.

NOTE: Be sure that the fan switch chain does not make contact with the light bulbs. If necessary reposition the light fitter to avoid the fan switch chain from touching the light bulbs.

Place the glass shade onto the light kit assembly threaded nipple (Figure 27).

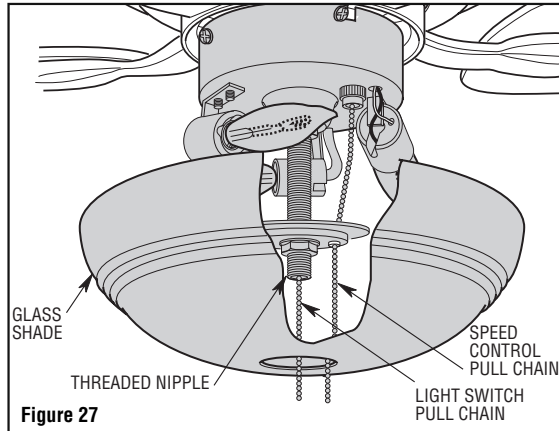


Figure 27

11.6

Pass the light pull chain through the center bushing in the bowl cap.

Pass the speed control switch pull chain through the offset hole of the bowl cap.

Place the bowl cap on the threaded nipple and against the glass shade (Figure 28).

Install finial nut finger tight to secure the bowl cap to the glass shade (Figure 28).

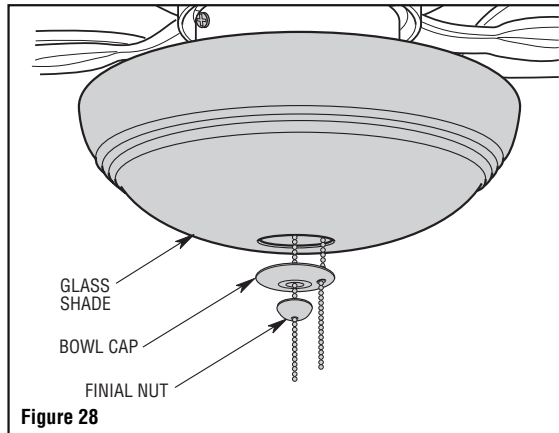


Figure 28

11. Installation of Light Kit Assembly (continued)

11.7

Cut the speed control switch pull chain and the light switch pull chain to the desired lengths.

Connect the wood pendants (supplied) to the pull chains by sliding the pendants (small hole first) onto the pull chains.

Then attach the chain couplings (supplied) to the end of the chains and allow the pendants to fall down over the couplings. (Figure 29).

Please call Emerson technical support at 1-800-654-3545 if you have any questions about installation and operation of this ceiling fan.

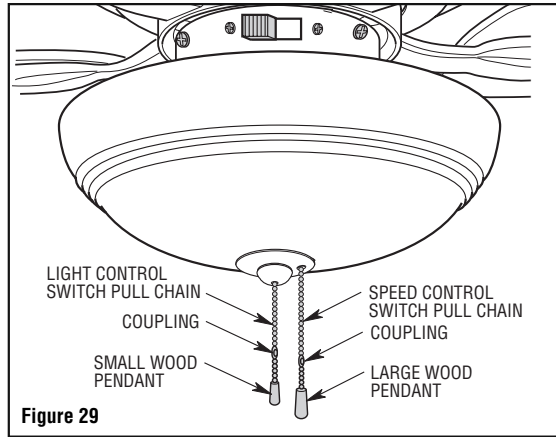


Figure 29

12. Using Your Ceiling Fan

12.1

Restore electrical power to the outlet box by turning the electricity on at the main fuse box.

Check the operation of the light by gently pulling on the light switch pull chain (Figure 30).

Check the operation of the fan by gently pulling on the speed control switch pull chain (Figure 30). The operation sequence is as follows:

- | | |
|-------------------|----------------|
| 1st pull - High | 3rd pull - Low |
| 2nd pull - Medium | 4th pull - OFF |

Your fan is shipped from the factory with the reversing switch positioned to circulate air downward. If airflow is desired in opposite direction, turn the fan off and wait for the blades to stop turning, then slide the reversing switch to the opposite position, and turn the fan on again (Figure 30). The fan blades will turn in the opposite direction and reverse the airflow.

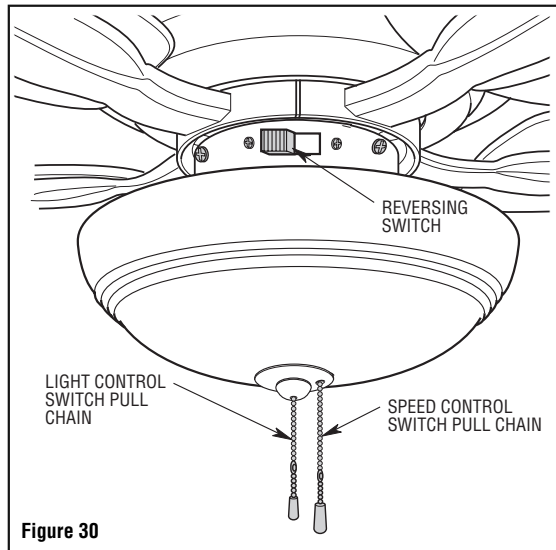


Figure 30

13. Maintenance

IMPORTANT CARE INSTRUCTIONS for your Ceiling Fan

Periodic cleaning of your new ceiling fan is the only maintenance that is needed.

When cleaning, use only a soft brush or lint free cloth to avoid scratching the finish.

Abrasive cleaning agents are not required and should be avoided to prevent damage to finish.

WARNING

Do not use water when cleaning your ceiling fan. It could damage the motor or the blades and create the possibility of an electrical shock.

14. Accessories

Ceiling Fan/Light Controls (see store or catalog).

Downrod Extension Kits (see store or catalog).

WARNING

The use of any other control not specifically approved for this fan could result in fire, shock and personal injury.

WARNING

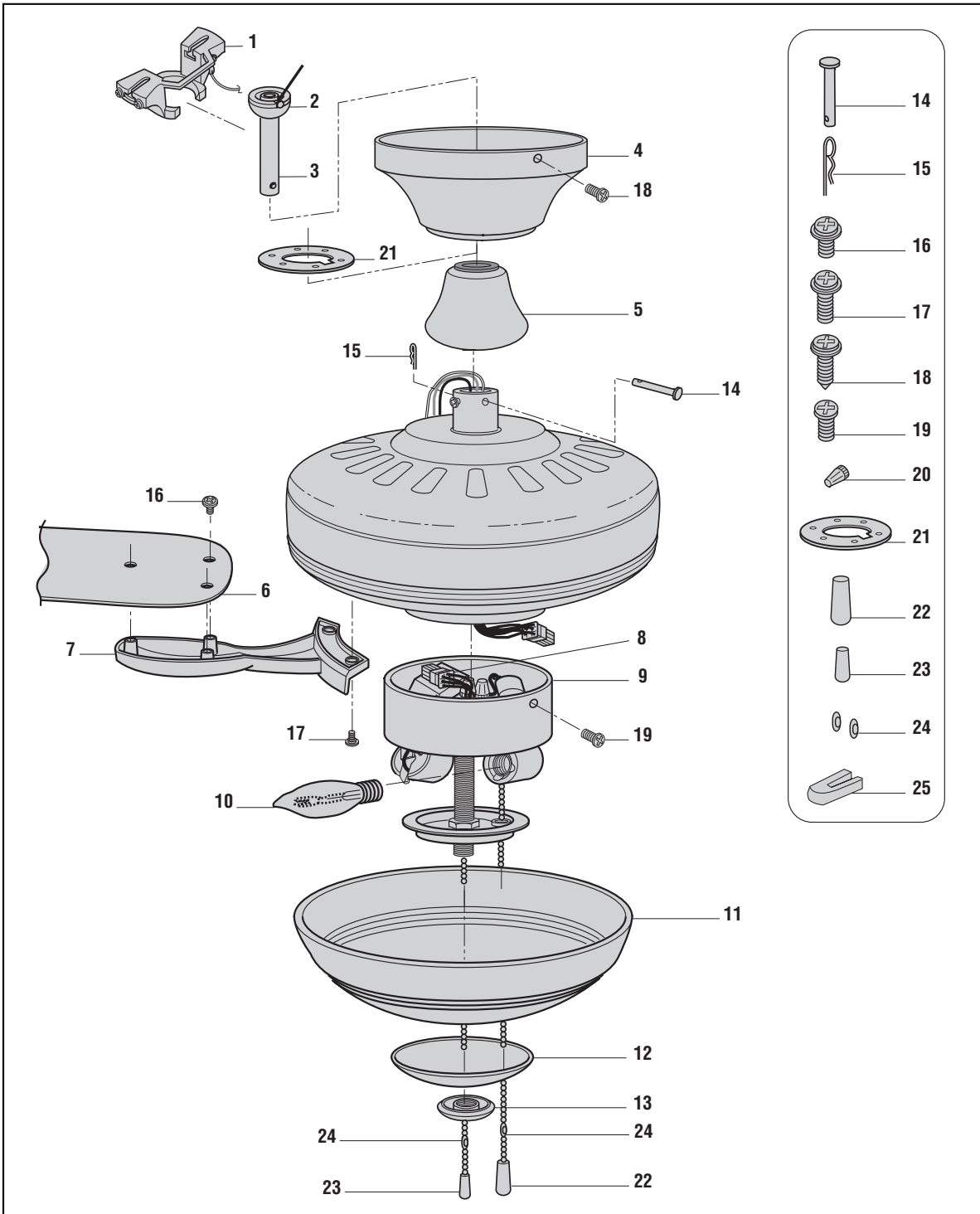
This product is designed to use only those parts supplied with this product and/or any accessories designated specifically for use with this product by Emerson Electric Co. Substitution of parts or accessories not designated for use with this product by Emerson Electric Co. could result in personal injury or property damage.

15. Trouble Shooting

▲ WARNING: FOR YOUR OWN SAFETY TURN OFF POWER AT FUSE BOX OR CIRCUIT BREAKER BEFORE TROUBLE SHOOTING YOUR FAN.

TROUBLE	PROBABLE CAUSE	SUGGESTED REMEDY
1. Fan will not start.	1. Fuse or circuit breaker blown. 2. Loose power line connections to the fan, or loose switch wire connections in the switch housing. 3. Reversing switch in neutral position.	1. Check main and branch circuit fuses or circuit breakers. 2. Check line wire connections to fan and switch wire connections in the switch housing. ▲WARNING: Make sure main power is turned OFF. 3. Make sure reversing switch position is all the way to one side.
2. Fan sounds noisy.	1. Blades not attached to fan. 2. Loose screws in motor housing. 3. Wire connectors inside switch housing rattling. 4. Screws holding blades to flywheel are loose.	1. Attach blades to fan before operating. 2. Check to make sure all screws in motor housing are snug (not over-tight). 3. Check to make sure wire connectors in switch housing are not rattling against each other or against the interior wall of the switch housing. ▲WARNING: Make sure main power is turned OFF. 4. Tighten screws securely.
3. Fan wobbles excessively.	1. Setscrews in motor coupling are loose. 2. Setscrew in hanger ball/downrod assembly is loose. 3. Screws securing fan blades to flywheel are loose. 4. Hanger bracket and/or ceiling outlet box is not securely fastened. 5. Fan blades out of balance.	1. Tighten both setscrews securely in the motor coupling. 2. Tighten the setscrew in the hanger ball/downrod assembly. 3. Check to be sure screws which attach the fan blades to the motor are tight. 4. Tighten the hanger bracket screws to the outlet box, and/or secure outlet box. 5. Interchanging an adjacent (side-by-side) blade pair can redistribute the weight and result in smoother operation.
4. Lamps will not illuminate.	1. Loose electrical connectors. 2. The lamps are burnt out. 3. Lamps turns on and then turns off.	1. Shut off the branch circuit electricity at the fuse box or breaker. panel and check the receiver electrical connectors for proper installation. 2. Turn the electricity off and replace the lamp with a new 60W maximum lamp. 3. The build in circuit breaker is tripping. Check that each lamp is 60W maximum.

16. Repair Parts



16. Repair Parts Listing

Key No.	Description	Model Numbers		
		CF717BS00	CF717ORB00	CF717SW00
* 1 2 3	Hanger Ball Assembly, Consisting of: Hanger Bracket, Dual Mount Hanger Ball Downrod (4.5")	761655-17 — — —	761655-32 — — —	761655-92 — — —
4 5 6 7 8 9 10 11 12 13	Ceiling Cover (1) Coupler Cover (1) Fan Blades (set of 5) Fan Blade Flanges (set of 5) Harness, Wiring Light Kit Assembly (1) 60-Watt Candelabra Bulbs (3) Glass Shade (1) Bowl Cap (1) Finial Nut (1)	764482-BS 764483-BS 764489-DCWA 764487-BS 764492 764493 — 764494 764495-BS 764496-BS	764482-ORB 764483-ORB 764489-DCWA 764487 764492-1 764493-1 — 764494-OM 764495-ORB 764496-ORB	764482-SW 764483-SW 764489-SWMP 764487-SW 764492 764493 — 764494-OM 764495-SW 764496-SW
* 14 15 16 17 18 19 20 21 22 23 24 25	Parts Bag Containing: Pin, Clevis (1) Clip, Hairpin (1) Screw, #8-32 x 8mm Washer Head Blade with Lockwashers (21) Screw, 1/4-20 x 1/2" Oval Head with Lockwashers (11) Screw, 5/32" Truss (spare) Screw, M5 (spare) Wire Connector (5) Gasket, Rubber (1) Large Pendant, Wood (1) Small Pendant, Wood (1) Coupling (2) Blade Balance Kit (1)	764497 — — — — — — — — — — — — — —	764497-1 — — — — — — — — — — — — — —	764497 — — — — — — — — — — — — — —
—	Owner's Manual	BP7483	BP7483	BP7483

Before discarding packaging material, be certain all parts have been removed.

HOW TO ORDER REPAIR PARTS

WHEN ORDERING REPAIR PARTS, ALWAYS GIVE THE FOLLOWING INFORMATION:

- PART NUMBER • NAME OF ITEM
- PART DESCRIPTION • MODEL NUMBER

The model number of your Fan will be found on a label attached to the top housing.

For repair parts, phone 1-800-654-3545.

emersonfans.com
Please contact 1-800-654-3545 for further assistance
ETL Model No.: CF717

Notes

Blank area for notes.

Emerson Air Comfort Ceiling Fan Limited Warranty

What The Limited Warranty Covers:

This limited warranty is offered by Air Comfort Products division of Emerson Electric Co. ("Emerson" "we" or "us") located at the address stated below to the original retail purchaser ("you" or "your") of an Emerson Air Comfort Ceiling Fan product ("**Emerson Ceiling Fan**") and covers the motor and the other components and accessories of the Emerson Ceiling Fan against all defects in workmanship and materials.

What The Period Of Coverage Is:

This limited warranty will cover the Emerson Ceiling Fan motor for the expected lifetime of your Emerson Ceiling Fan (when operated in accordance with your Owner's Manual or other instructions provided by Emerson to you with the Emerson Ceiling Fan). All other components and accessories of the Emerson Ceiling Fan are covered by this limited warranty for a period of one (1) year from its date of original retail purchase. ANY IMPLIED WARRANTY, INCLUDING WITHOUT LIMITATION, ANY IMPLIED WARRANTY OF MERCHANTABILITY OR FITNESS FOR A PARTICULAR PURPOSE THAT IS AVAILABLE TO YOU UNDER THE LAWS OF YOUR STATE OR PROVINCE SHALL COVER THE MOTOR FOR THE EXPECTED LIFETIME OF THE MOTOR (SUBJECT TO PROPER USE), AND FOR ONE YEAR WITH RESPECT TO COMPONENTS AND ACCESSORIES.

No Other Express or Implied Warranty Applies:

THE LIMITED WARRANTIES PROVIDED ABOVE ARE THE SOLE AND EXCLUSIVE WARRANTIES PROVIDED BY EMERSON TO YOU FOR YOUR EMERSON CEILING FAN, AND ARE IN LIEU OF ALL OTHER WARRANTIES, WRITTEN OR ORAL, EXPRESS OR IMPLIED, WHETHER ARISING BY OPERATION OF LAW OR OTHERWISE, WHETHER OR NOT THE PURPOSE HAS BEEN DISCLOSED AND WHETHER OR NOT THE EMERSON CEILING FAN HAS BEEN SPECIFICALLY DESIGNED OR MANUFACTURED FOR YOUR USE OR PURPOSE. EMERSON HEREBY DISCLAIMS ANY AND ALL IMPLIED WARRANTIES, INCLUDING WITHOUT LIMITATION, IMPLIED WARRANTIES OF MERCHANTABILITY OR FITNESS FOR A PARTICULAR PURPOSE FOR COMPONENTS AND ACCESSORIES AS OF THE EXPIRATION OF THE ONE YEAR WARRANTY PERIOD FOR SUCH COMPONENTS AND ACCESSORIES. IMPLIED WARRANTIES OF MERCHANTABILITY OR FITNESS FOR A PARTICULAR PURPOSE FOR THE MOTOR PORTION OF THE EMERSON CEILING FAN ARE LIKEWISE DISCLAIMED BY EMERSON AT SUCH TIME THAT THE EXPECTED LIFETIME OF THE EMERSON CEILING FAN UNDER NORMAL USAGE HAS BEEN REACHED. EXCLUSIONS OR LIMITATIONS OF IMPLIED WARRANTIES MAY VARY FROM STATE TO STATE AND PROVINCE TO PROVINCE SO THE ABOVE LIMITATIONS MAY NOT APPLY TO YOU.

What We Will Do To Correct Problems:

If during the one (1) year warranty period the motor or any component or accessory of your Emerson Ceiling Fan is defective in materials or workmanship, or if during the expected lifetime of the Emerson Ceiling Fan (when used in accordance with the User Manual or other instructions) the motor is defective in materials or workmanship, you must contact Emerson during the applicable warranty period. If the defect is covered by warranty, Emerson will repair or replace the defective motor, component or other accessory at no charge to you. If repair of the motor, component or accessory is not practical or possible within a reasonable time and no replacement Emerson Ceiling Fan can be provided, Emerson will refund to you the actual purchase price of your Emerson Ceiling Fan. We will ship the repaired or the replacement Emerson Ceiling Fan to you at no charge, but you are responsible for all costs of removal and reinstallation of your Emerson Ceiling Fan.

How You Can Receive Warranty Service:

You must be the original retail purchaser and have proof of your purchase of the Emerson Ceiling Fan to obtain your remedy under this limited warranty. You can return your Emerson Ceiling Fan to your place of purchase, or you can call Emerson Customer Service at 1-800-237-6511 to obtain a return authorization and service identification tag. In order for us to confirm that your Emerson Ceiling Fan is still under warranty, please retain your receipt or other proof of purchase and have that information readily available when returning your Emerson Ceiling Fan to your place of purchase, or upon calling Emerson Customer Service. If you call Emerson Customer Service, prior to your call please be prepared to provide all model numbers shown on your Emerson Ceiling Fan. Once we have processed your return authorization request, we will provide you with a postage paid return label which should be affixed to the Emerson Ceiling Fan package you ship to the address listed at the end of this limited warranty. The return label will be sent to the mailing address you provide to us by phone.

What Is Not Covered:

This limited warranty does not extend to and expressly excludes:

- The glass globes and light bulbs of your Emerson Ceiling Fan,
- Loss or damage to the motor or any component or accessory caused by normal wear and tear, rather than due to defects in materials or workmanship,
- Loss or damage resulting from conditions beyond our reasonable control, including without limitation, repairs not made at our factory or authorized service center, use of parts or accessories not provided to you as part of this warranty by our factory or authorized service center, mishandling, unreasonable use, misuse, abuse, modifications or other damage caused by you or a third party to your Emerson Ceiling Fan while not in our possession,
- Loss or damage resulting from improper installation, or other failure to comply with instructions in your Owner's Manual.

This limited warranty is deemed null and void upon the occurrence of either of the following events:

- You cease to own the Emerson Ceiling Fan product, or
- The Emerson Ceiling Fan is moved from its original point of installation.

This limited warranty is only valid within the 50 United States, the District of Columbia, and Canada. No other written or oral warranties apply, and no employee, agent, dealer or other person is authorized to give any warranties on behalf of Air Comfort Products or Emerson Electric Co.

Limitation of Liability

REPAIR, REPLACEMENT OR A REFUND ARE THE EXCLUSIVE REMEDIES AVAILABLE TO YOU UNDER THIS LIMITED WARRANTY. TO THE EXTENT PERMITTED BY LAW, IN NO EVENT SHALL EMERSON OR ANY EMERSON AUTHORIZED DEALER BE LIABLE FOR ANY INCIDENTAL, SPECIAL, INDIRECT, OR CONSEQUENTIAL DAMAGES, INCLUDING ANY ECONOMIC LOSS, WHETHER RESULTING FROM NONPERFORMANCE, USE, MISUSE OR INABILITY TO USE THE EMERSON CEILING FAN OR FOR THE NEGLIGENCE OF EMERSON OR AN EMERSON AUTHORIZED DEALER. EMERSON SHALL NOT BE LIABLE FOR DAMAGES CAUSED BY DELAY IN PERFORMANCE AND IN NO EVENT, REGARDLESS OF THE FORM OF THE CLAIM OR CAUSE OF ACTION (WHETHER BASED IN CONTRACT, INFRINGEMENT, NEGLIGENCE, STRICT LIABILITY, OTHER TORT OR OTHERWISE), SHALL EMERSON'S OR ANY EMERSON AUTHORIZED AGENT'S LIABILITY TO YOU OR ANY INDIVIDUAL USING THE EMERSON CEILING FAN EXCEED THE PRICE PAID BY THE ORIGINAL OWNER FOR THE EMERSON CEILING FAN. The term "consequential damages" shall include, but not be limited to, loss of anticipated profits, business interruption, loss of use or revenue, cost of capital or loss or damage to property or equipment.

How State and Provincial Law Relates To The Warranty:

Some states and provinces do not allow the exclusion or limitation of incidental or consequential damages so the above exclusion or limitation may not apply to you. This limited warranty gives you specific legal rights, and you may also have other rights which vary from state to state or province to province.

emersonfans.com
Please contact 1-800-654-3545 for further assistance
ETL Model No.: CF717



EMERSONTM

Air Comfort Products

DIVISION OF EMERSON ELECTRIC CO.
8100 W. Florissant • St. Louis, MO 63136

Questions, problems, missing parts: Before returning to the store call
Emerson Electric Customer Service
8 a.m. - 6 p.m., Eastern, Monday-Friday

1-800-654-3545

www.emersonfans.com

Retain this manual for future use.