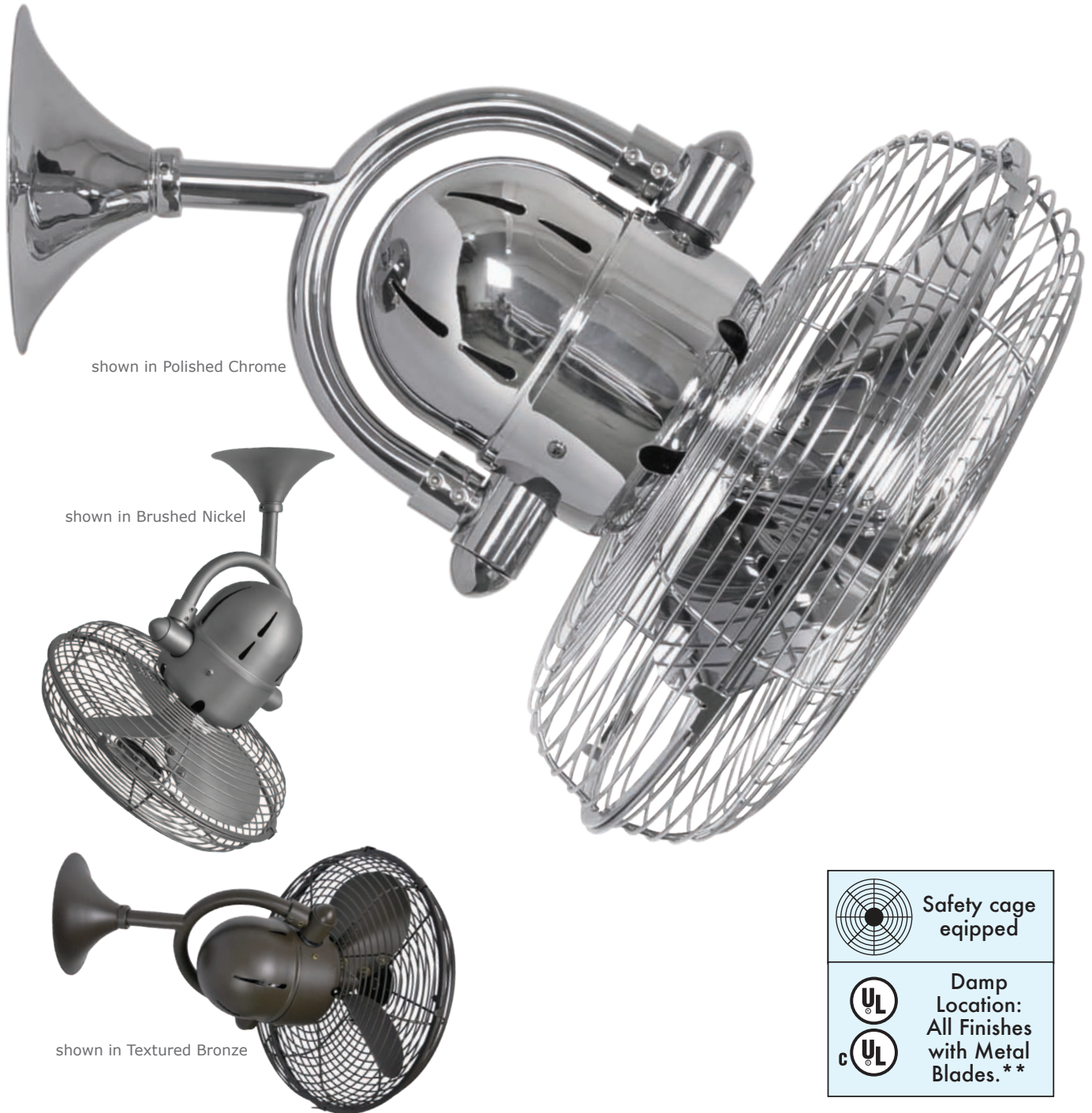


Kaye



The beautiful Kaye oscillating, 3-speed wall fan, reminiscent of train cabin fans of yester-year, will cool down your favorite space with poise and determination. Kaye's profile is low, however its strength and character define it.

- Kaye can be mounted in small or awkward spaces or in front of HVAC ducts to make more efficient the heating, ventilation or air conditioning of a room.
- Available in the following finishes: polished chrome, brushed nickel or textured bronze.
- Constructed of cast aluminum and heavy stamped steel, the Kaye carries a limited lifetime warranty.
- Equipped with hand-balanced metal blades and metal safety cages.
- 3-speed wall control is standard equipment.
- To operate the oscillation mechanism independent of the fan blades, a three wire system is needed.

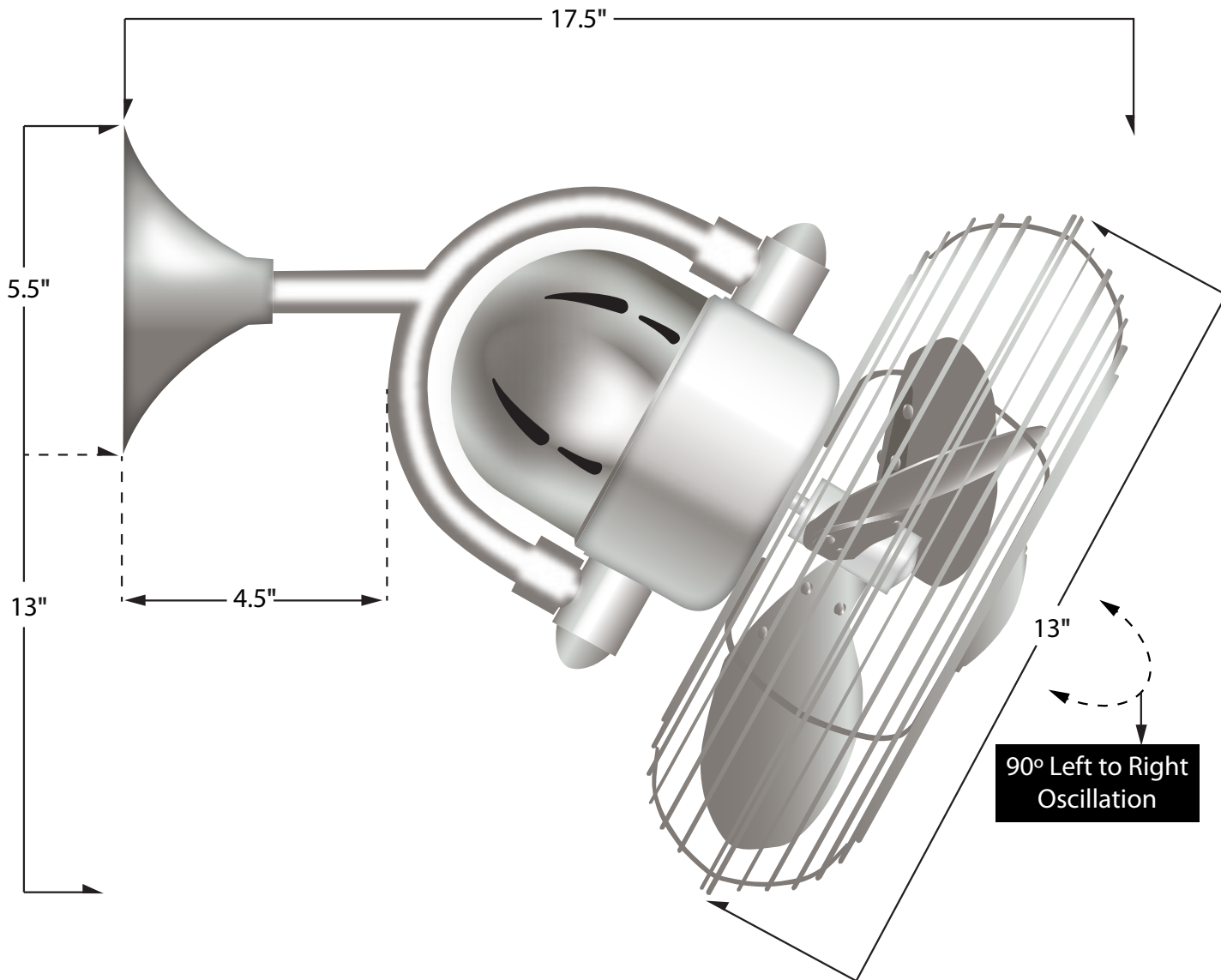
MATTHEWS

FAN COMPANY

Kaye

weight: 10.5 lbs

voltage: 110



**Damp location: All standard finishes with metal blades.
Not recommended for salt water / ocean front applications.



**Damp Location